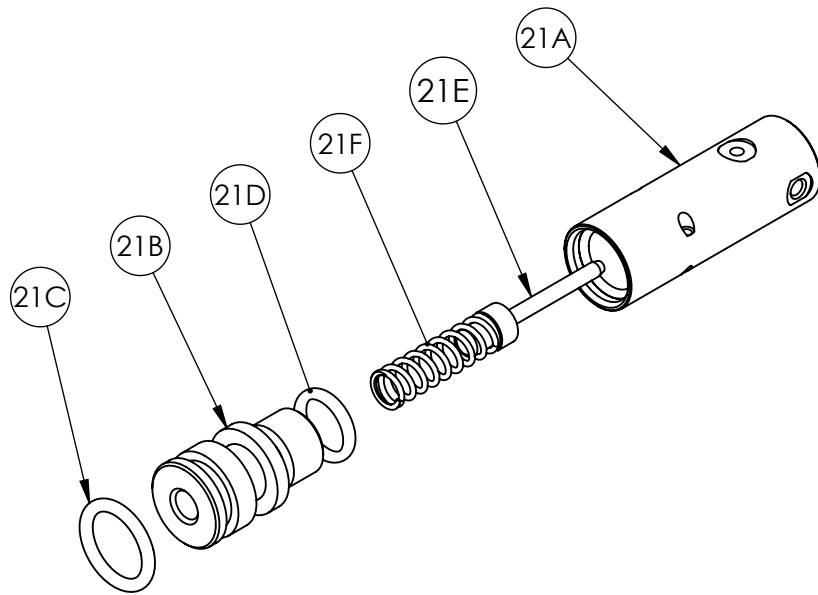
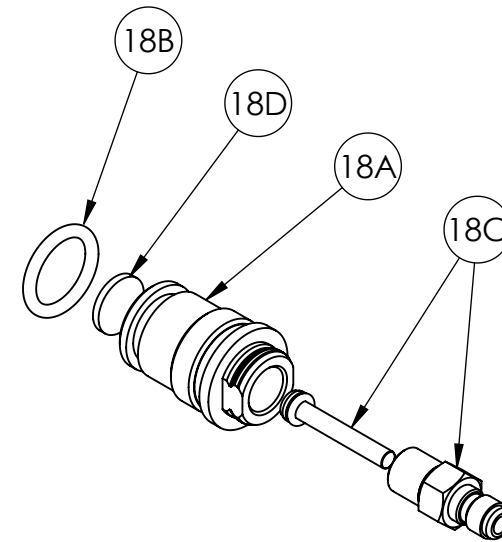


ITEM 30, MARAUDER PISTOL TRIGGER ASSEMBLY			
ITEM NO.	PART NUMBER	DESCRIPTION	QTY.
30A	2220-018	FRAME, TRIGGER	1
30S	1322B044	COVER	1
30Q	1763-056	SCREW, 4-40 x .375, FHCS	3
30N	1763-055	SET SCREW, 4-40 x .312, OV PT	2
30K	2220-021	SEAR	1
30J	2220-025	PIN, DOWEL, .125 X .375	3
30P	2220-019	TRIGGER	1
30R	1322-052	SAFETY	1
30G	105-039	DIA .093 STEEL BALL	1
30H	1322-017	SPRING, SAFETY	1
30T	2300-042	SETSCREW 8-32 x .25 BRASS TIP	1
30M	2220-020	LINK, TRIGGER	1
30E	2220-024	SPRING, SEAR	1
30D	2220-015	HOUSING, ADJUSTER	1
30B	2220-013	SCREW, ADJUSTER	1
30C	2220-022	SPRING, LINK	1
30L	2220-023	SPRING, TRIGGER	1
30F	2220-026	SCREW, 0-80 x .125, PPH	1



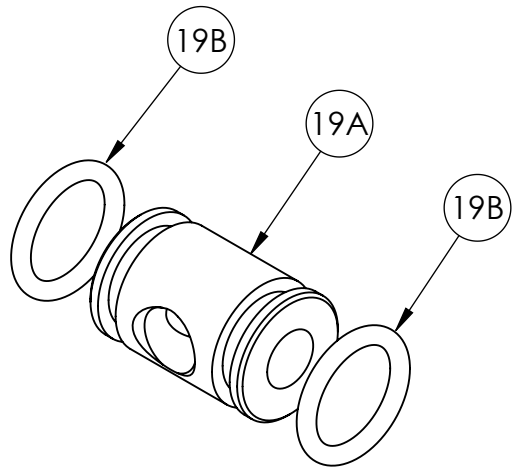
**ITEM 21, VALVE ASSEMBLY**

ITEM NO.	PART NUMBER	DESCRIPTION	QTY.
21A	1700-002	VALVE BODY	1
21B	1700-003	VALVE CAP	1
21C	1700B005	O-Ring, #113, 80D HNBR	1
21D	130-035	O-RING, 2-111	1
21E	1700-140	VALVE STEM, OVERMOLDED	1
21F	1763-034	SPRING, VALVE	1

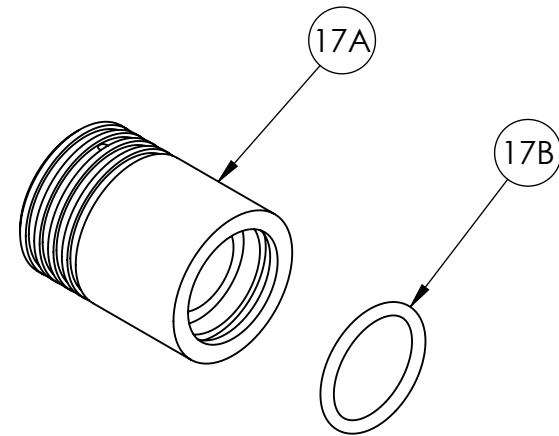


**ITEM 18, FILL ADAPTER ASSEMBLY**

ITEM NO.	PART NUMBER	DESCRIPTION	QTY.
18A	1700-013	HOUSING, FILL ADAPTER	1
18B	1700B005	O-Ring, #113, 80D HNBR	1
18C	1761-106	NIPPLE, ADAPTER	1
18D	NS1200-047	SINTERED FILTER	1



ITEM 19, GAUGE PORT ASSEMBLY			
ITEM NO.	PART NUMBER	DESCRIPTION	QTY.
19A	1700-016	PORT, GAUGE	1
19B	1700B005	O-Ring, #113, 80D HNBR	2



ITEM 17, FILL CAP ASSEMBLY			
ITEM NO.	PART NUMBER	DESCRIPTION	QTY.
17A	1761-011	CAP, ADAPTER	1
17B	1761-005	O-RING, AS568-016	1