



Distributed by Crosman Corporation
7629 Routes 5 & 20 East Bloomfield, NY 14443
www.crosman.com • 1-800-7AIRGUN • 1-800-724-7486

Crosman Pulse P72 Model SAPP72 Soft Air Pistol 6mm Plastic BB OWNER'S MANUAL

SAPP72-515

WARNING: This is not a toy. Adult supervision is required. Misuse may cause serious injury, especially to the eye. Eye protection designed for soft air guns must be worn by the user and any person in range. May be dangerous up to 100 yds (91.44 meters). Read the owner's manual before using.

WARNING: Do not brandish or display this soft air gun in public – it may confuse people and may be a crime. Police and others may think it is a firearm. Do not change the coloration and markings to make it look more like a firearm. That is dangerous and may be a crime.

READ ALL INSTRUCTIONS AND WARNINGS IN THIS MANUAL BEFORE USING THIS SOFT AIR GUN.

BUYER AND USER HAVE THE DUTY TO OBEY ALL LAWS ABOUT THE USE AND OWNERSHIP OF THIS SOFT AIR GUN.

RECOMMEND 18 YEARS OR OLDER TO PURCHASE. INTENDED FOR USE BY THOSE 16 OR OLDER

Please read this owner's manual completely. Remember to treat this soft air pistol with the same respect you would a firearm. Always carefully follow the safety instructions found in this owner's manual and keep this manual in a safe place for future use.

If you have any questions regarding your new soft air pistol, please contact Crosman Customer Service at: 1-800-724-7486, 585-657-6161 or www.crosman.com.

1. Learning the Parts of Your New Soft Air Pistol

Learning the names of the parts of your new soft air pistol will help you to understand your owner's manual. Use this manual to increase your enjoyment of this soft air pistol.

- A. Compensator*
- B. Muzzle
- C. Front Sight
- D. Rear Sight
- E. Battery cover
- F. Battery cover Release (mock hammer)
- G. Mode Selection Lever (Fig 9)
- H. Grip Frame

- I. Clip Release Lever
- J. BB Clip
- K. Trigger
- L. Trigger Guard
- M. Safety (see fig. 2A and 2B)
- N. Battery release lever (fig. 7)
- O. Hop-up Selector Dial (fig. 8)

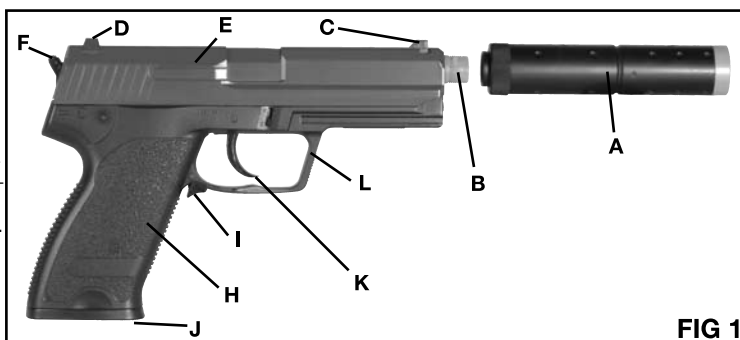


FIG 1

*Your soft air gun has been designed to be used with or without the enclosed compensator. To attach the compensator, screw on the barrel tip until tight. Do not over tighten as it may damage the compensator or barrel. The compensator cannot be on the gun when loading or removing the battery.

2. Operating the Safety

- A. To put the soft air gun "ON SAFE"
- Locate the safety on the right hand side of the soft air gun.
- Push the safety all the way down to the "S" for "ON SAFE" (Fig 2A). The safety is not "ON SAFE" unless it is pushed all the way down to the "S".

WARNING: Keep the soft air pistol in the "ON SAFE" position until you are actually ready to shoot. Then turn the safety to the "OFF SAFE" position.

Like all mechanical devices, a soft air gun safety can fail. Even when the safety is "ON SAFE", you should continue to handle the soft air gun safely. NEVER point the soft air gun at any person. NEVER point the soft air gun at anything you do not intend to shoot.

- B. To Take the Soft Air Gun "OFF SAFE"
- Locate the safety on the right hand side of the soft air gun.
- Turn the safety so it is pointing to one of the "AUTO" positions for "OFF SAFE". (Fig 2B). The safety is "OFF SAFE" when it is pushed to one of the "AUTO" positions, and can be fired.



FIG 2A

FIG 2B

3. Loading and Unloading Plastic BBs

A. Loading

WARNING: Use 6 mm plastic BBs only in this soft air pistol. Use of any other ammunition can cause injury to you or damage to the soft air pistol.

- Make sure the soft air gun is "ON SAFE" (section 2A).
- Point the soft air gun in a SAFE DIRECTION.
- While supporting the BB clip, push the clip release lever down and remove the clip.
- Pull down the BB follower and hold (fig 3).
- Load up to 30 -6 mm plastic BBs in the top of the clip.
- Slowly release the BB follower. Releasing too fast may cause the BBs to pop out of the clip.
- Insert the loaded clip back into the soft air gun until it locks in place.



FIG 3

B. Unloading Plastic BBs

- Make sure the soft air gun is "ON SAFE" (section 2A).
- Point the soft air gun in a SAFE DIRECTION.
- While supporting the BB clip, push the clip release lever down and remove the clip.
- To empty the clip, push down on the tabs on either sides of the loading hole. NOTE: Due to the tension on the spring, the BBs will fly out rapidly.

WARNING: Never assume that because the soft air pistol no longer fires a BB and/or the clip is removed, that a BB is not lodged in the barrel. Always treat the soft air pistol as though it is loaded and with the same respect you would a firearm.

4. Charging the battery

NOTE: Charge the battery a MINIMUM of 5 hours and a MAXIMUM of 6 hours prior to initial use. This soft air gun will not operate properly without a fully charged battery. DO NOT OVERCHARGE THE BATTERY. Be sure to unplug the battery charger when not in use.

- Slide the battery into the charger base so that the arrow on the battery is going into the slot first. (FIG 4) Be sure to push the battery all the way in
- Plug the charger into the base.
- Plug the charger into a standard 110 volt outlet.



FIG 4

5. Loading the battery

NOTE: The battery charging time is a MINIMUM of 5 hours and a MAXIMUM of 6 hours. Continuous battery consumption will allow the soft air gun to shoot for 5 minutes. To prolong the life and maintain the best shooting performance do not shoot over 5 minutes continuously in the Full Auto Mode. DO NOT OVERCHARGE THE BATTERY

- Make sure the soft air gun is "ON SAFE" (section 2A) and is UNLOADED.
- Point the soft air gun in a SAFE DIRECTION.
- Make sure the compensator is not on the gun.
- While holding the soft air gun in a horizontal position press the battery cover release (fake hammer) with one hand, and pull the cover up and off (toward the muzzle) with the other hand (fig. 5).
- With the positive end of the battery toward the back of the gun, slide the battery in from the right side, so that the arrow on the battery goes into the plastic slot (fig 6).
- Push the battery in all the way.
- Slide the battery cover over the end of the muzzle, and push down until locked in place.



FIG 5

6. Removing the battery

- Make sure the soft air gun is "ON SAFE" (section 2A) and is UNLOADED.

- Point the soft air gun in a SAFE DIRECTION.
- Make sure the compensator is not on the gun.
- While holding the soft air gun in a horizontal position press the battery cover release with one hand, and pull the cover up and off (toward the muzzle) with the other hand (fig. 5).
- Locate the battery release lever on the left side of the gun and push the lever down releasing the battery (fig 7.)
- Replace the battery cover by sliding it over the end of the muzzle, and pushing down until locked in place.
- For best results completely use up the battery power before re-charging the battery.



FIG 6

7. Adjusting the Hop-Up

Your soft air gun is manufactured with a hop-up system. The purpose of this system is to change the spin on the BB as it leaves the muzzle, allowing you to adapt your shot for different distances.

- Make sure the soft air gun is "ON SAFE" (section 2A) and the loading chamber is empty (section 3B)
- Point the soft air gun in a SAFE DIRECTION
- While holding the soft air gun in a horizontal position press the battery cover release (fake hammer) with one hand, and pull the cover up and off (toward the muzzle) with the other hand (fig. 5).
- Locate the hop-up dial (fig. 8) and turn to the desired selection. Turn clockwise for more hop-up, turn counter-clockwise for less hop-up)
- Replace the battery cover by sliding it over the end of the muzzle, and pushing down until locked in place.



FIG 7

8. Selecting Firing Mode

NOTE: This soft air gun fires in either full-auto or semi-auto mode. Full-auto means it will continue to fire plastic BBs as long as you hold the trigger. Semi-auto means you will have to pull the trigger each time you want to fire a shot.

- Locate the mode selection lever on the left side of the gun (fig 9).
- Push the lever all the way up for semi-auto mode.
- Push the lever all the way down for full-auto mode.
- The mode can be changed as needed.



FIG 8

9. Aiming and Firing Safety

- You and others with you should always wear eye protection designed for soft air to protect your eyes.
- Always point your soft air gun in a SAFE DIRECTION.
- Do not shoot at hard surfaces or at the surface of water. The plastic BBs may bounce off or ricochet and hit someone or something you had not intended to hit.
- DO NOT re-use plastic BBs because they could possibly cause damage to your soft air gun.
- Your soft air gun is designed for target shooting and is suited for both indoor and outdoor use. Always remember to place your target carefully. THINK about what you will hit if you miss the target.
- Your soft air gun is correctly aimed when the front sight blade is position exactly in the notch of the rear sight. The top of the front sight blade should be even with the top of the notch in the rear sight. The bulls-eye should appear to rest on the top of the front sight.
- When you are sure of your target and backstop, and the area around the target is clear, load and charge the soft air gun following sections 3 and 4. Take the soft air gun "OFF SAFE" (section 2A) aim and pull the trigger to fire.



FIG 9

10. Maintaining Your Soft Air Gun

- DO NOT MODIFY OR ALTER YOUR SOFT AIR GUN. Tampering with the soft air gun or attempts to change the soft air gun in any way may make it unsafe to use, may cause serious injury or death and will void the warranty.
- If you drop your soft air gun, visually check to see that it works properly before you use it again. If anything seems changed, like a shorter or weaker trigger pull, this may mean parts are worn out or broken. Call Customer Service at Crosman for assistance before using your soft air gun again.

11. Reviewing Safety

- Do not ever point the soft air gun at any person. Do not ever point the soft air gun at anything you do not intend to shoot.
- Always treat the soft air gun as though it is loaded and with the same respect you would a firearm.
- Always aim in a SAFE DIRECTION. Always keep the muzzle of the soft air gun pointed in a SAFE DIRECTION.
- Always keep the soft air gun "ON SAFE" until you are ready to shoot in a SAFE DIRECTION.
- Always check to see if the soft air gun is "ON SAFE" and unloaded when getting it from another person or from storage.
- Always keep your finger off the trigger and out of the trigger guard until ready to shoot.
- You and others with you should always wear eye protection to protect your eyes.
- Always wear eye protection designed for soft air over your regular glasses.
- Use 6 mm plastic BBs only.
- Do not reuse plastic BBs because they could cause possible damage to your soft air gun.
- Do not shoot at hard surfaces or at the surface of water. The plastic BBs may bounce off or ricochet and hit someone or something you had not intended to hit.
- Replace the backstop if it becomes worn. Place the backstop in a location that will be safe should the backstop fail.
- Your backstop should be checked for wear before and after each use. All backstops are subject to wear and will eventually fail. Replace your backstop if the surface is worn or damaged or if a ricochet occurs.
- Do not attempt to disassemble or tamper with your soft air gun.
- DO NOT MODIFY OR ALTER YOUR SOFT AIRGUN. Attempts to modify the soft air gun in any way may make your soft air gun unsafe to use, cause serious injury or death and will void the warranty.
- Using unauthorized repair centers or modifying the function of your soft air gun in any way may be unsafe and will void your warranty.
- Do not put the soft air gun away loaded. Make sure ALL of the plastic BBs are unloaded from the soft air gun.
- Always store this soft air gun in a secure location.

SPECIFICATIONS

Mechanism/Action	Electronic
Caliber/Ammunition	6mm Plastic BBs
Magazine	Up to 30 6 mm BBs
Barrel	Smooth
Safety	Slide
Velocity	Up to 275 fps (83.82 m/s)

PERFORMANCE: Many factors can affect velocity, including brand of projectile, type of projectile and barrel condition.

CUSTOMER SERVICE

If your soft air gun is not functioning, we recommend that you call Crosman Corporation Customer service at 1-800-724-7486 or 585-657-6161. (International customers should contact their distributor.) DO NOT ATTEMPT TO DISASSEMBLE IT! If you take it apart you probably will not be able to reassemble it correctly. Crosman assumes no warranty responsibility under such circumstances.

LIMITED 30 DAY WARRANTY

This product is warranted to the retail consumer for 30 days from date of retail purchase against defects in material and workmanship and is transferable.

WHAT IS COVERED

Replacement parts and labor. Transportation charges to consumer for repaired product.

WHAT IS NOT COVERED

Transportation charges to Crosman for product. Damages caused by abuse, modification or failure to perform normal maintenance. Any other expense. CONSEQUENTIAL DAMAGES, INCIDENTAL DAMAGES, OR INCIDENTAL EXPENSES, INCLUDING DAMAGE TO PROPERTY. SOME STATES DO NOT ALLOW THE EXCLUSION OR LIMITATION OF INCIDENTAL OR CONSEQUENTIAL DAMAGES, SO THE ABOVE LIMITATION OR EXCLUSION MAY NOT APPLY TO YOU.

WARRANTY CLAIMS

USA Customers: Attach your name, address, description of problem, phone number and copy of sales receipt to product. Package and return to Crosman Corporation, Routes 5 & 20, East Bloomfield, NY 14443.

International Customers: Please return product to your nearest distributor. If you do not know your distributor, please call 585-657-6161 and ask for our International Department for assistance.

IMPLIED WARRANTIES

ANY IMPLIED WARRANTIES, INCLUDING THE IMPLIED WARRANTIES OF MERCHANTABILITY AND FITNESS FOR A PARTICULAR PURPOSE, ARE LIMITED IN DURATION TO 30 DAYS FROM DATE OF RETAIL PURCHASE. SOME STATES DO NOT ALLOW LIMITATIONS ON HOW LONG AN IMPLIED WARRANTY LASTS, SO THE ABOVE LIMITATIONS MAY NOT APPLY TO YOU.

To the extent any provision of this warranty is prohibited by federal, state, or municipal law which cannot be preempted, it shall not be applicable. This warranty gives you specific legal rights, and you may also have other rights which vary from state to state.

CROSMAN is a registered trademark of Crosman Corporation in the United States.

Crosman Pulse P72 Modelo SAPP72 Pistola de Aire Suave Municiones de Plástico de 6mm MANUAL DEL PROPIETARIO

ADVERTENCIA: Éste no es un juguete. Es necesaria la supervisión de un adulto. El uso inadecuado puede causar lesiones graves, en particular a los ojos. El usuario y todas las personas que estén al alcance del arma deben llevar protección para los ojos diseñada específicamente para armas de aire suave. Puede ser peligroso hasta a 183 metros (100 yardas). Por favor lea el manual del usuario antes de usar el arma.

ADVERTENCIA: No blanda ni muestre esta arma de aire suave en público, puede confundir a la gente y podría ser delito. La policía y otras personas pueden pensar que se trata de un arma de fuego. No cambie la coloración o las marcas de modo que tenga un mayor parecido con un arma de fuego. Es peligroso y podría tratarse de un delito.

LEA TODAS LAS INSTRUCCIONES Y ADVERTENCIAS DE ESTE MANUAL ANTES DE USAR ESTA ARMA DE AIRE SUAVE. EL COMPRADOR Y EL USUARIO TIENEN EL DEBER DE OBEDECER TODAS LAS LEYES RELATIVAS AL USO Y PROPIEDAD DE ESTA ARMA DE AIRE SUAVE.

SE RECOMIENDA QUE LA PERSONA TENGA 18 AÑOS O MÁS PARA COMPRARLA. DISEÑADA PARA SER USADA POR PERSONAS DE 16 AÑOS DE EDAD O MAYORES.

Por favor lea completamente el manual del propietario. Recuerde tratar esta pistola de aire suave con el mismo respeto que a una arma de fuego. Siempre siga, cuidadosamente, las instrucciones de seguridad que se encuentran en este manual del propietario y guarde este manual en un lugar seguro para uso en el futuro.

Si usted tiene cualquier pregunta relacionada con su pistola nueva de aire suave, por favor comuníquese con el Departamento de Servicio al Cliente de Crosman al: 1-800-724-7486, 585-657-6161 o www.crosman.com

1. Conociendo las Partes de Su Pistola Nueva de Aire Suave.

Aprendiendo los nombres de las partes de su pistola nueva de aire suave le ayudará a entender su manual del propietario. Use este manual para aumentar su disfrute de esta pistola de aire suave.

- A. Compensador*
- B. Boca
- C. Mira delantera
- D. Mira trasera
- E. Tapa de la batería
- F. Liberación de la tapa de la batería (martillo simulado)
- G. Palanca de selección de modo (Fig 9)
- H. Armazón de la cacha

- I. Palanca de liberación del cargador
- J. Cargador de municiones
- K. Gatillo
- L. Guardamonte
- M. Seguro (vea la fig. 2A y 2B)
- N. Palanca de liberación de la batería (fig. 7)
- O. Cuadrante de acceso de "hop-up" (fig. 8)

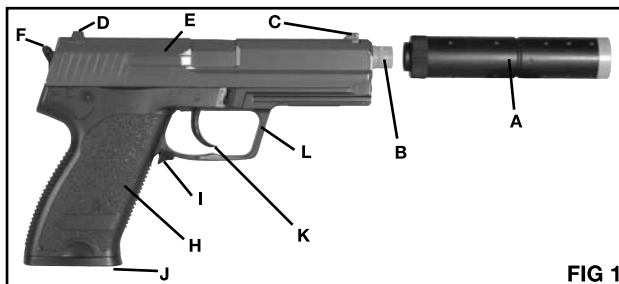


FIG 1

*Su rifle de aire suave se ha diseñado para usarse con o sin el compensador incluido. Para instalar el compensador, atornillelo en la punta del cañón hasta que esté firme. No apriete en exceso, ya que esto puede dañar el compensador o el cañón. El compensador no puede estar en el rifle al cargar o extraer la batería.

2. Operación del seguro

- A. Para activar el seguro del rifle de aire suave ("ON SAFE"):
 - Encuentre el seguro del lado derecho del rifle de aire suave.
 - Empuje el seguro totalmente hacia adelante hacia la "S" para activarlo ("ON SAFE") (Fig 2A). El seguro no está activado ("ON SAFE") a menos que se haya empujado completamente hacia abajo a la "S".

ADVERTENCIA: Mantenga la pistola de aire suave en la posición "SEGURO ACTIVADO" hasta que esté realmente listo para disparar. Luego mueva el seguro a la posición "SEGURO DESACTIVADO".

Como todos los dispositivos mecánicos, el seguro de las armas de aire suave puede fallar. Incluso con el seguro activado ("ON SAFE"), debe seguir manipulando con seguridad el rifle de aire suave. NUNCA apunte el rifle de aire suave a una persona. NUNCA apunte con el rifle de aire suave a nada a lo que no tenga intención de dispararle.

- B. Para desactivar el seguro de el rifle de aire suave ("OFF SAFE")

- Encuentre el seguro del lado derecho del rifle de aire suave.
- Gire el seguro de modo que esté apuntando a una de las posiciones "AUTO" para desactivar el seguro ("OFF SAFE"), (Fig. 2B). El seguro está desactivado ("OFF SAFE") cuando está orientado a una de las posiciones "AUTO" y se puede disparar.



FIG 2A



FIG 2B

3. Carga y descarga de las municiones de plástico

- A. Cargando

ADVERTENCIA: Use solamente municiones de plástico de 6 mm en esta pistola de aire suave. El uso de cualquier otra munición puede causar lesiones a usted o daños a la pistola de aire suave.

- Asegúrese de que el seguro de el rifle de aire suave esté activado ("ON SAFE") (sección 2A).
- Apunte el rifle de aire suave en una DIRECCIÓN SEGURA
- Sosteniendo el cargador de municiones, empuje hacia abajo la palanca de liberación del cargador y quítelo.
- Tire hacia abajo el seguidor de municiones y sosténgalo así (fig 3).
- Cargue hasta 30 municiones de plástico de 6 mm en la parte superior del cargador.
- Libere lentamente el seguidor de municiones. Liberarlo demasiado rápido puede hacer que las municiones salten del cargador.
- Introduzca el cargador lleno nuevamente en el rifle de aire suave hasta que se bloquee en su sitio.



FIG 3

- B. Descarga de las municiones de plástico

- Asegúrese de que el seguro de el rifle de aire suave esté activado ("ON SAFE") (sección 2A).
- Apunte el rifle de aire suave en una DIRECCIÓN SEGURA
- Sosteniendo el cargador de municiones, empuje hacia abajo la palanca de liberación del cargador y quítelo.
- Para vaciar el cargador, oprima hacia abajo las lengüetas a ambos lados del orificio de carga. NOTA: Debido a la tensión del resorte, las municiones saldrán volando rápidamente (fig. 4).

ADVERTENCIA: Nunca de por hecho que debido a que la pistola de aire suave ya no dispara una munición y/o el cargador ha sido removido, que ya no hay municiones alojados en el cañón. Siempre trate esta pistola de aire suave como si estuviera cargada y con el mismo respeto que a una arma de fuego.

4. Carga de la batería

NOTA: Cargue la batería un MÍNIMO de 5 horas y un MÁXIMO de 6 horas antes de usarla por primera vez. Este rifle de aire suave no funcionará correctamente sin una batería totalmente cargada. NO SOBRECARGUE LA BATERÍA. Recuerde desconectar el cargador de baterías cuando no se esté usando.

- Deslice la batería en la base del cargador de modo que la flecha de la batería entre primero en la ranura. Cuide que la batería entre completamente
- Conecte el cargador a la base.
- Conecte el cargador a un enchufe estándar de 110 voltios.



FIG 4

5. Carga de la batería

NOTA: El tiempo de carga de la es un MÍNIMO de 5 horas y un MÁXIMO de 6 horas. El consumo continuo de la batería permitirá que el rifle de aire dispare durante 5 minutos. Para prolongar la vida de la batería y conservar el mejor desempeño de disparo, no dispare más de 5 minutos continuamente en modo automático. NO SOBRECARGUE LA BATERÍA

- Asegúrese de que el seguro de el rifle de aire suave esté activado ("ON SAFE") (sección 2A) y el rifle esté DESCARGADO.
- Apunte el rifle de aire suave en una DIRECCIÓN SEGURA
- Cerciórese de que el compensador no esté instalado en el rifle.
- Sosteniendo el rifle de aire suave en posición horizontal, oprima la palanca de liberación de la batería (martillo simulado) hacia adelante con una mano y tire de la tapa hacia arriba quitándola (hacia la boca) con la otra mano (fig. 5).
- Con el extremo positivo de la batería hacia la parte posterior del rifle,

deslice la batería introduciéndola desde el lado derecho, de modo que la flecha de la batería entre en la ranura de plástico (fig 6).

- Empuje la batería totalmente hacia adentro.
- Deslice la tapa de la batería sobre el extremo de la boca y oprima hacia abajo hasta que se bloquee en su sitio.

6. Extracción de la batería

- Asegúrese de que el seguro de el rifle de aire suave esté activado ("ON SAFE") (sección 2A) y el rifle esté DESCARGADO.
- Apunte el rifle de aire suave en una DIRECCIÓN SEGURA
- Cerciórese de que el compensador no esté instalado en el rifle.
- Sosteniendo el rifle de aire suave en posición horizontal, oprima la palanca de liberación de la batería hacia adelante con una mano y tire de la tapa hacia arriba quitándola (hacia la boca) con la otra mano (fig. 5).
- Encuentre la palanca de liberación de la batería del lado izquierdo del rifle y empújela hacia abajo liberando la batería (fig 7.)
- Reemplace la tapa de la batería deslizando sobre el extremo de la boca y oprima hacia abajo hasta que se bloquee en su sitio.
- Para obtener los mejores resultados, use completamente la energía de la batería antes de volver a cargarla.



FIG 5

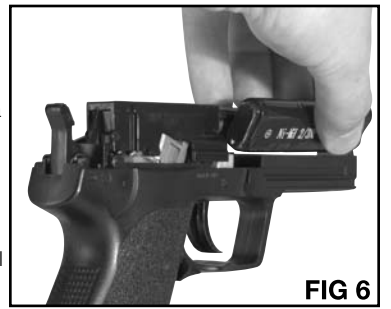


FIG 6



FIG 7

7. Ajuste del "Hop-Up"

Su rifle de aire suave está fabricado con un sistema "hop up". El objetivo de este sistema es cambiar el giro de las municiones al salir por la boca del cañón, permitiéndole adaptar su disparo a distintas distancias.

- Asegúrese de que el seguro del rifle de aire suave esté activado ("ON SAFE") (sección 2A) y que la cámara de carga esté vacía (sección 3B).
- Apunte el rifle de aire suave en una DIRECCIÓN SEGURA
- Sosteniendo el rifle de aire suave en posición horizontal, oprima la palanca de liberación de la batería (martillo simulado) hacia adelante con una mano y tire de la tapa hacia arriba quitándola (hacia la boca) con la otra mano (fig. 5).
- Encuentre el selector hop-up (fig. 8) y gírelo a la selección deseada. Gire en sentido de las manecillas del reloj para más giro "hop-up", gire en sentido opuesto para tener menos giro "hop-up"
- Reemplace la tapa de la batería deslizando sobre el extremo de la boca y oprima hacia abajo hasta que se bloquee en su sitio.

8. Selección del modo de disparo

NOTA: Este rifle de aire suave dispara en modo automático o semiautomático. Automático significa que seguirá disparando municiones de plástico mientras usted mantenga oprimido el gatillo. Semiautomático significa que debe tirar del gatillo cada vez que quiera disparar un tiro.

- Encuentre la palanca selectora de modo del lado izquierdo del rifle (fig. 9).
- Empuje la palanca totalmente hacia arriba para modo semiautomático.
- Empuje la palanca totalmente hacia abajo para modo automático.
- Este modo se puede cambiarse según sea necesario.



FIG 8

9. Apuntar y disparar con seguridad

- Usted y las demás personas deben siempre usar protección ocular diseñada para armas de aire suave con objeto de proteger sus ojos.
- Siempre apunte el rifle de aire suave en una DIRECCIÓN SEGURA
- No dispare a superficies duras o a la superficie del agua. Las municiones de plástico pueden rebotar y golpear a alguien o algo que usted no tenga intención de golpear.
- NO reutilice las municiones de plástico, ya que podrían causar daños a su rifle de aire suave.
- Su rifle de aire suave está diseñado para tiro al blanco y es adecuado para usarlo bajo techo o al aire libre. Recuerde siempre colocar su blanco con cuidado. PIENSE en lo que puede golpear si no atina al blanco.
- El rifle de aire suave está apuntado correctamente cuando la hoja de la mira delantera está posicionada exactamente en la ranura de la mira trasera. La parte superior de la hoja de la mira delantera debe estar nivelada con la parte superior de la muesca de la mira trasera. La diana debe verse como si descansara encima de la mira delantera.
- Cuando esté seguro de su blanco y respaldo, y no haya gente en el área alrededor del blanco, cargue y amartille el rifle de aire suave siguiendo las secciones 3 y 4. Desactive el seguro del rifle de aire suave (póngalo en "OFF SAFE") (sección 2A) apunte y tire del gatillo para disparar.

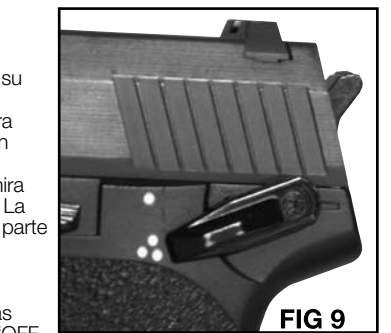


FIG 9

10. Mantenimiento de su rifle de aire suave

- NO MODIFIQUE NI ALTERE EL RIFLE DE AIRE SUAVE. Forzar el rifle de aire suave o intentar modificarlo de cualquier manera pueden hacer su uso inseguro, causar graves lesiones o la muerte y anulará la garantía.
- Si el rifle de aire suave cae, revise visualmente que funcione correctamente antes de volverlo a usar. Si parece que cualquier cosa ha cambiado, como que el gatillo está más suave o más duro, puede indicar que hay piezas desgastadas o rotas. Llame al Servicio al cliente de Crosman para obtener ayuda antes de volver a usar su rifle de aire suave.

11. Revisión de la seguridad

- Nunca apunte la pistola de aire suave a una persona. Nunca apunte con la pistola de aire suave a nada a lo que no tenga intención de dispararle.
- Siempre trate la pistola de aire suave como si estuviera cargada y con el mismo respeto que le tendría a un arma de fuego.
- Apunte siempre en una DIRECCIÓN SEGURA. Mantenga siempre el cañón de la pistola de aire suave apuntado en DIRECCIÓN SEGURA.
- Mantenga siempre la pistola de aire suave en la posición "ON SAFE" (Seguro activado) hasta que esté listo para disparar en una DIRECCIÓN SEGURA.
- Siempre compruebe que la pistola de aire suave tenga el seguro activado ("ON SAFE") y esté descargada al recibirla de otra persona o al sacarla después de estar guardada.
- Mantenga siempre el dedo apartado del gatillo y fuera del guardamonte hasta que esté listo para disparar.
- Usted y las demás personas deben usar siempre protección ocular para proteger sus ojos.
- Use siempre sobre sus anteojos normales una protección ocular diseñada para aire suave.
- Use solamente municiones de plástico de 6 mm.
- No reutilice las municiones de plástico, ya que podrían causar daños a su pistola de aire suave.
- No dispare a superficies duras o a la superficie del agua. Las municiones de plástico pueden rebotar y golpear a alguien o algo que usted no tenga intención de golpear.
- Reemplace el respaldo si se desgasta. Coloque el respaldo en un lugar que sea seguro en caso de que falle el respaldo.
- Debe revisarse el desgaste del respaldo antes y después de cada uso. Todos los respaldos se desgastan y eventualmente dejarán de servir. Reemplace el respaldo si la superficie está desgastada o dañada, o si rebota la munición.
- No intente desarmar la pistola de aire suave ni la manipule indebidamente.
- NO MODIFIQUE NI ALTERE SU PISTOLA DE AIRE SUAVE. Los intentos de modificar la pistola de aire de cualquier forma pueden hacer que no sea seguro usarlo, ocasionar graves lesiones o la muerte, y anular la garantía.
- El uso de centros de reparaciones no autorizados o la modificación de las funciones de la pistola de aire suave en cualquier forma puede ser inseguro y anulará la garantía.
- No guarde la pistola de aire suave cargada. Asegúrese de que TODAS las municiones de plástico se hayan descargado de la pistola de aire suave.
- Siempre almacene esta pistola de aire suave en un sitio seguro.

ESPECIFICACIONES

Mecanismo/Acción	Electrónico
Calibre/Munición	Muniones de Plástico de 6mm
Cargador	Hasta 30 municiones de plástico de 6 mm
Cañón	Suave
Seguro	Deslizante
Velocidad	hasta 230 mps (275 fps)

DESEMPEÑO: Hay muchos factores que afectan la velocidad, incluyendo la marca del proyectil, el tipo de proyectil y las condiciones del cañón.

SERVICIO AL CLIENTE

Si su pistola de aire suave no esta funcionando, le recomendamos que llame a Servicio al Cliente de Crosman Corporation al 1-800-724-7486 o 585-657-6161. (Los clientes internacionales deben comunicarse con su distribuidor.) ¡NO TRATE DE DESARMARLA! Si usted la desarma probablemente no podrá armarla de nuevo correctamente. Crosman no asume ninguna responsabilidad de garantía bajo dichas circunstancias.

GARANTÍA LIMITADA DE 30 DÍAS

Este producto está garantizado para el comprador al por menor por 30 días a partir de la fecha compra al por menor contra defectos de materiales y mano de obra, y es transferible.

QUE ESTA CUBIERTO

Reemplazo de parte y mano de obra. Cargos de transporte al consumidor para productos reparados.

QUE NO ESTA CUBIERTO

Cargos de transporte del producto a Crosman. Daños como resultado del abuso, modificación o por falta de mantenimiento normal. Cualquier otro gasto. DAÑOS CONSECUENCIALES, DAÑOS INCIDENTALES O GASTOS INCIDENTALES. INCLUYENDO DAÑOS A LA PROPIEDAD. ALGUNOS ESTADOS NO PERMITEN LA EXCEPCIÓN O LIMITACIÓN DE DAÑOS INCIDENTALES O CONSECUENCIALES, ASÍ ES QUE LA LIMITACIÓN O EXCEPCIÓN CITADA ANTERIORMENTE PODRÍA NO APLICARSE A USTED.

RECLAMOS DE GARANTÍAS

Clientes de EE.UU.: Adjunte su nombre, dirección, descripción del problema, número de teléfono y copia del recibo de venta del producto. Empáquelo y devuelva a Crosman Corporation, Routes 5 & 20, East Bloomfield, NY 14443.

Clientes Internacionales: Por favor devuelva el producto a su distribuidor más cercano. Si no conoce a su distribuidor, por favor llame al 585-657-6161 y pida hablar a nuestro Departamento Internacional para obtener ayuda.

GARANTÍAS IMPLÍCITAS

CUALQUIER GARANTÍA IMPLÍCITA, INCLUYENDO LAS GARANTÍAS IMPLÍCITAS DE COMERCIABILIDAD Y ADECUACIÓN PARA UN PROPÓSITO EN PARTICULAR, TIENEN UNA DURACIÓN LIMITADA DE 30 DÍAS A PARTIR DE LA FECHA DE COMPRA AL POR MENOR. ALGUNOS ESTADOS NO PERMITEN LIMITACIONES DE TIEMPO EN GARANTÍAS IMPLÍCITAS, ASÍ ES QUE LAS LIMITACIONES CITADAS ANTERIORMENTE PODRÍAN NO APLICARSE A USTED. En la medida en que cualquier disposición de esta garantía esté prohibida por una ley federal, estatal o municipal que no pueda invalidarse, no será aplicable. Esta garantía le otorga derechos legales específicos y usted podría tener otros derechos que varían de estado a estado.