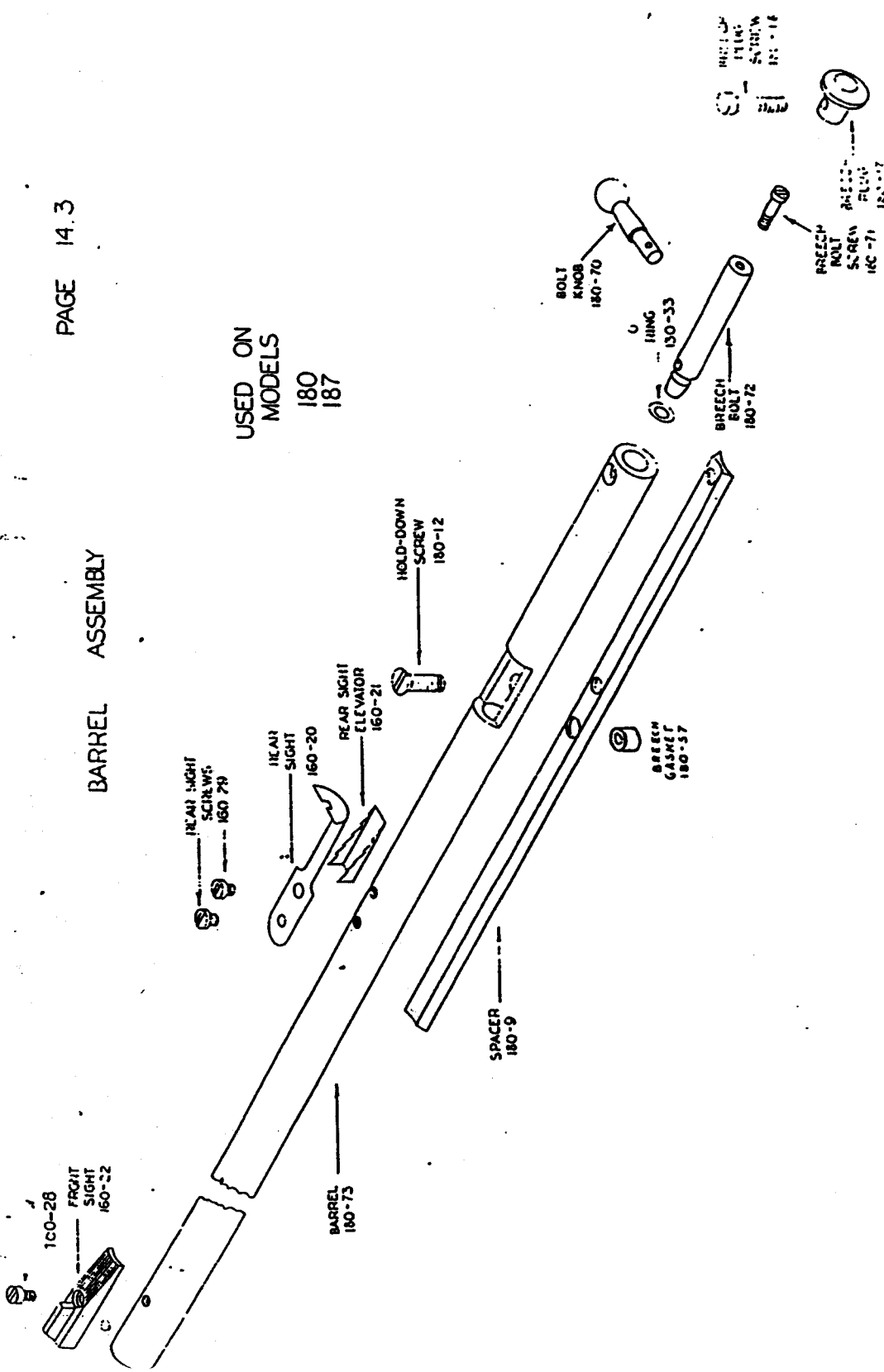


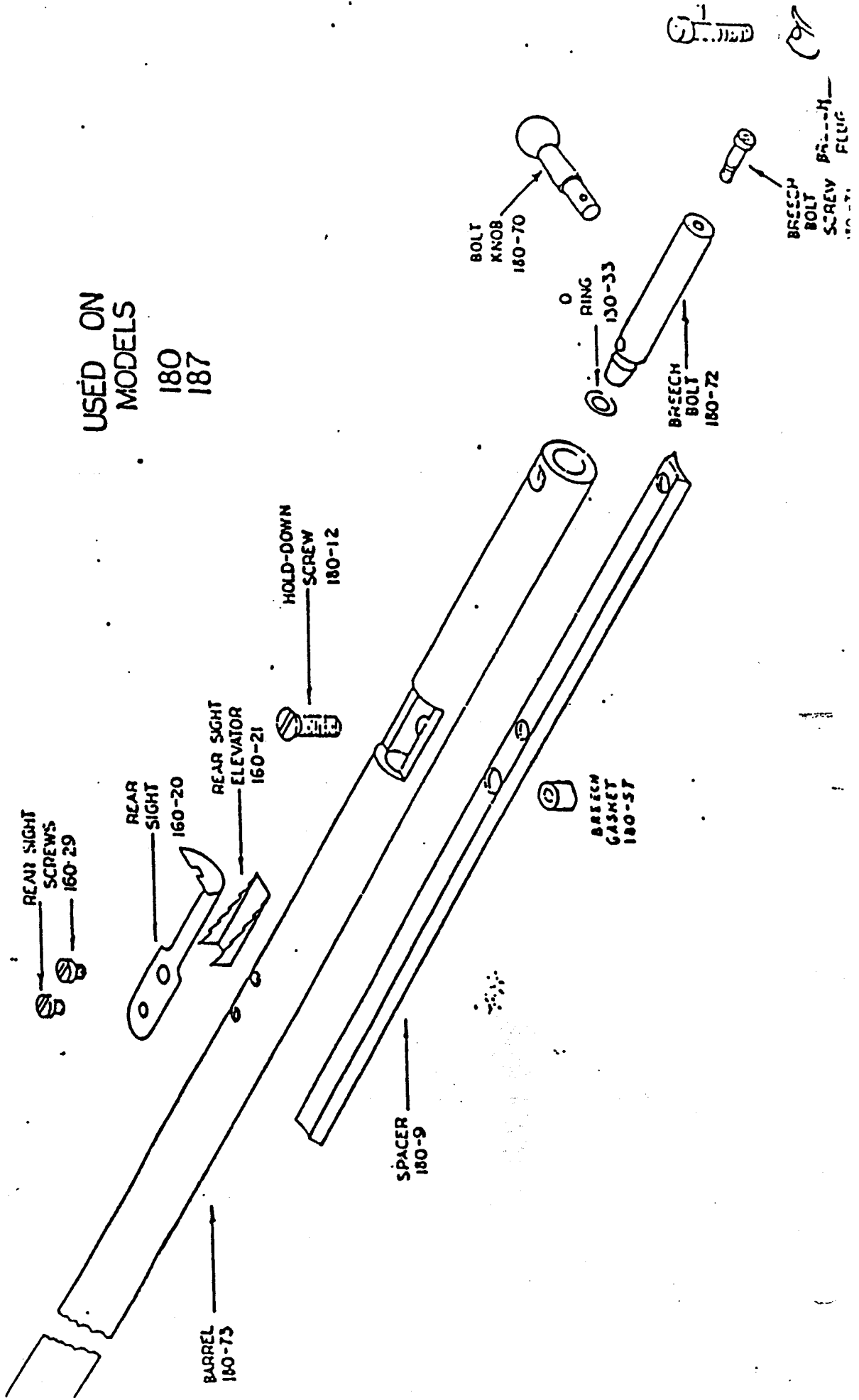
BARREL ASSEMBLY



BARREL ASSEMBLY

USED ON
MODELS

180
187



SCR: 160-28
 PART: 160-22
 SIGHT: 160-20
 761-008

TUBE ASSEMBLY

USED ON
MODELS
180
187

