

# Model RW1K77X2

.177 Caliber (4.5 mm) Spring Air Rifle

## OWNER'S MANUAL

READ ALL INSTRUCTIONS AND WARNINGS IN THIS MANUAL BEFORE USING THIS AIRGUN

Remington is a trademark used from RA Brands, LLC. under license by Crosman Corp.

Crosman Corporation  
7629 Routes 5 & 20  
East Bloomfield, NY 14443  
www.crosman.com  
1-800-7AIRGUN (724-7486)

RW1K77X2A515

**WARNING:** Not a toy. This airgun is recommended for adult use only. Misuse or careless use may cause serious injury or death. May be dangerous up to 600 yards (549 meters).

YOU AND OTHERS WITH YOU SHOULD ALWAYS WEAR SHOOTING GLASSES TO PROTECT YOUR EYES. READ ALL INSTRUCTIONS BEFORE USING. BUYER AND USER HAVE THE DUTY TO OBEY ALL LAWS ABOUT THE USE AND OWNERSHIP OF THIS AIRGUN.

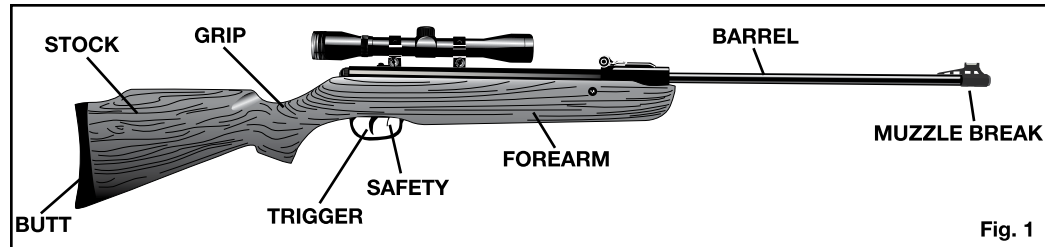
THIS AIRGUN IS INTENDED FOR USE BY ADULTS ONLY.

**WARNING:** Do not brandish or display this airgun in public – it may confuse people and may be a crime. Police and others may think it is a firearm. Do not change the coloration and markings to make it look more like a firearm. That is dangerous and may be a crime.

**WARNING:** Lead pellets. Do not inhale dust or put pellets in mouth. Wash hands after handling. This product contains lead, a chemical known to the State of California to cause cancer and birth defects (or other reproductive harm).

Congratulations and thank you for purchasing the Remington® Model RW1K77X2 .177 caliber (4.5 mm) pellet airgun. Please read this owner's manual completely. And remember, this airgun is not a toy. Treat it with the same respect you would a firearm. Always carefully follow the safety instructions found in this owner's manual and keep this manual in a safe place for future use.

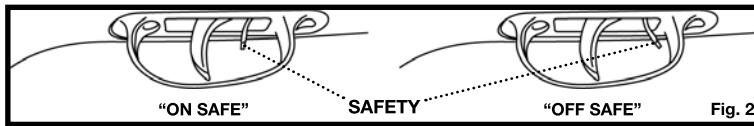
If you have any questions regarding your new airgun, please contact Crosman at 1-800-7AIRGUN, 585-657-6161 or www.crosman.com.



### 1. Learning the Parts of Your New Airgun

Learning the names of the parts of your new airgun will help you to understand your owner's manual. Use this manual to increase your enjoyment of this airgun.

Due to the nature of a spring air rifle, there is a 200 shot break-in period. During this period accuracy may be inconsistent and your gun may seem loud. This will improve as the spring breaks in.



### 2. Operating the Safety

#### 2.1 To Put the Airgun "ON SAFE":

- Locate the safety directly in front of the trigger. Push the safety towards the trigger to put the safety on. The safety is on and the airgun is "ON SAFE" when the lever is in the rear position near the trigger (Fig. 2).
- The letters "F" (fire) and "S" (safe) on the bottom of the trigger guard also indicate the appropriate position of the safety.
- Even when the safety is on, you should continue to handle the rifle safely. Don't point the gun at anything you don't intend to shoot.

Like all mechanical devices, an airgun safety can fail. Even when the safety is "ON SAFE", you should continue to handle the airgun safely. NEVER point the airgun at any person. NEVER point the air gun at anything you do not intend to shoot.

**WARNING:** Keep the airgun "ON SAFE" until you are actually ready to shoot. Then push the safety to the "OFF SAFE" position.

#### 2.2 To Take the Airgun "OFF SAFE":

- To take the air rifle "OFF SAFE," push the safety to the forward position (away from the trigger). When the air rifle is "OFF SAFE" it is ready to be fired. (Fig. 2)

CAUTION: Do not fire your air rifle without a pellet in the chamber (dry fire). This may permanently damage your air rifle.

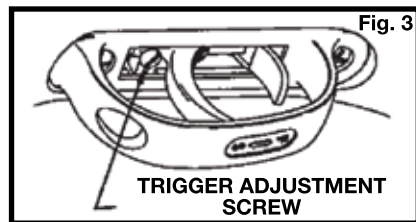
### 3. Adjusting the Trigger

- This airgun is supplied with a trigger with an adjusting screw for adjustment of the second stage length

NOTE: The trigger adjustment does not affect the trigger pull force, it only changes the length of the pull

NOTE: This feature is added for advanced shooters. Most shooters can use the settings provided during manufacturing of the gun, and should not need to make any modifications.

- Be sure the air rifle is "ON SAFE", unloaded and not cocked.
- To reduce the second stage length, rotate the screw clockwise.
- To increase the second stage length, rotate the screw counterclockwise.



### 4. Cocking and Loading Your Air Rifle

#### 4.1 Cocking Your Air Rifle

**WARNING:** Make sure you do not touch the trigger or push the safety to the "OFF SAFE" position.

Do not cock your rifle until you are ready to load and fire, since the only way to uncock your air rifle is to fire it. Firing your gun without a pellet in the chamber (dry firing) may cause damage to your air rifle.

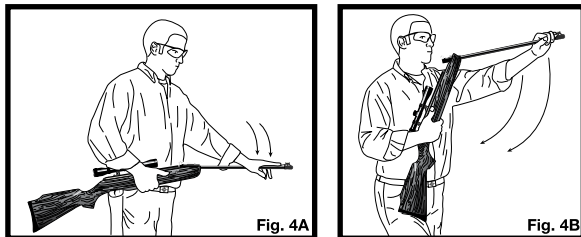
- Put the air rifle "ON SAFE". (See Section 2.1).
- Point the airgun in a safe direction.

#### How to cock a break barrel:

- Holding the gun close to your body firmly tap the muzzle break. (Fig. 4A)
- Anchor gun against thigh and pull barrel down as far as it will go to engage the spring. (Fig.4B)
- Be sure that the barrel is locked in the closed position after loading/cocking to ensure accuracy.

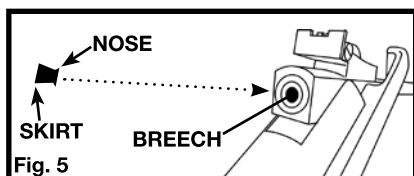
#### 4.2 Loading Your Air Rifle

- With the barrel in the open position, after it has been cocked, place one pellet, nose forward, into the breech (Fig. 5). Make sure that the skirt of the pellet is flush with face of breech.
- Move the barrel back to its original position by pushing the barrel up until it locks (Fig. 6). Once again, be careful not to pinch your hands or fingers. Be sure the rifle is "ON SAFE" and pointed in a safe direction.



**WARNING:** Make sure you do not pull the trigger while cocking the air rifle or with the barrel in the down position. This may cause serious damage to the air rifle.

CAUTION: Do not fire your air rifle without a pellet in the chamber (dry fire). This may permanently damage your air rifle.



**WARNING:** Your air rifle is now loaded and ready to fire. Keep the air rifle "ON SAFE" until you are ready to shoot. Do not point at anything you don't intend to shoot.

#### 4.3 Unloading Your Air Rifle

Do not cock and load your air rifle until you are ready to shoot since the only way to uncock your air rifle is to fire it in a safe direction (see Section 5).

REMEMBER, choose your targets carefully and be sure that the area around the target is clear. THINK what you will hit if you miss the target! Do not store your air rifle cocked or loaded.

CAUTION: Use .177 caliber pellets only. Never reuse ammunition. Use of any other ammunition can cause injury to you or damage to the air rifle.

### 5. Aiming and Firing Safely

- You and others with you should always wear shooting glasses to protect your eyes.
- Always aim your air rifle in a SAFE DIRECTION. When you are sure of your target and backstop, and the area around the target is clear, take the air rifle "OFF SAFE" (See SECTION 2.2) and squeeze the trigger to fire.
- Do not shoot at hard surfaces or at the surface of water. The pellet may bounce off or ricochet and hit some one or something you had not intended to hit.
- Always choose your target carefully. It is best to shoot at paper bull's-eye targets which are attached to a safe backstop. A heavy blanket should be hung behind the backstop to prevent ricochet should you miss the backstop.
- Your backstop should be checked for wear before and after each use. Replace your backstop if the surface is worn or damaged or if a ricochet occurs.
- Your air rifle is designed for target shooting. Always remember to place your target carefully. THINK about what you will hit if you miss the target.

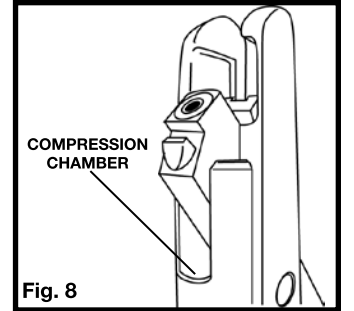
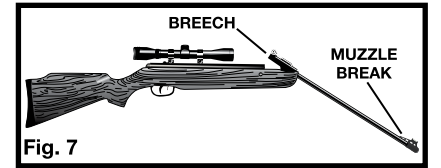
NOTE: Pellet weight may affect accuracy.

### 6. Removing a Jammed Pellet

- Put your airgun "ON SAFE" (Section 2).
- Do not reload the air rifle if a pellet is jammed.
- Break the barrel open slightly (without pulling the barrel all the way down to the point that it cocks the action) and look down the breech to see if the gun is jammed.
- If it is jammed, insert a cleaning rod into the breech and push the jammed pellet out of the muzzle. Don't try to reuse that pellet (Fig. 7)

CAUTION: Do not cock the air rifle during the removal of a jammed pellet unless you plan on continuing to shoot.

- Remember; do not fire your air rifle without a pellet in the chamber (dry fire). This may permanently damage your air rifle.
- Do not leave the rifle cocked. This will weaken the main spring and cause damage to your airgun.
- If you are not able to unjam your airgun by following the unloading procedure, take no further action. An Authorized Service Station will unjam your airgun (no cost during the warranty period).



### 7. Maintaining Your Airgun

To ensure that your air rifle maintains uniform power, it is important that you apply a drop of Crosman RMCoil every few hundred shots into the compression chamber. (Fig.8). The external parts should be cleaned with a cloth that has RMCoil on it. CAUTION: Do not attempt to disassemble your airgun. Take it to your nearest authorized service station. DO NOT MODIFY OR ALTER YOUR AIRGUN. Attempts to modify the airgun in any way inconsistent with this manual may make your airgun unsafe to use, cause serious injury or death, and will void the warranty.

If you drop your airgun, visually check to see that it works properly before you use it again. If anything seems changed, like a shorter or weaker trigger pull, this may mean worn out or broken parts. Call Crosman customer service for assistance before using your airgun again.

CAUTION: Use Crosman RMCoil only and do not over-oil. To do so can cause possible damage to the gun and injury to the shooter and bystanders.

#### To help ensure accuracy

- Periodically tighten all stock fasteners
- Check and tighten scope mounts if applicable

### 8. Reviewing Safety

- Never point the airgun at any person or at anything you do not intend to shoot.
- Always treat the airgun as though it is loaded and with the same respect you would a firearm.
- Always aim in a SAFE DIRECTION. Always keep the muzzle of the airgun pointed in a SAFE DIRECTION.
- Always keep the airgun on safe until you are ready to shoot.
- Always check to see if the airgun is "ON SAFE" and unloaded when getting it from another person or from storage.
- Always keep your finger off the trigger and out of the trigger guard until ready to shoot.
- You and others with you should always wear shooting glasses to protect your eyes.
- If your reading or prescription glasses are not safety glasses, make sure you wear shooting glasses over your regular glasses.
- Use the proper size pellet for your airgun (.177 caliber or 4.5 mm).
- Never reuse ammunition.
- Do not shoot at hard surfaces or at the surface of water. The pellet may bounce off or ricochet and hit someone or something you had not intended to hit.
- Place the backstop in a location that will be safe should the backstop fail.
- Your backstop should be checked for wear before and after each use. All backstops are subject to wear and will eventually fail. Replace your backstop if the surface is worn or damaged or if a ricochet occurs.
- Do not attempt to disassemble or tamper with your airgun. Use an Authorized Service Station. Using unauthorized repair centers or modifying the function of your airgun in any way may be unsafe and will void your warranty.
- Always keep your CrosBlock® trigger block in place when storing this airgun. Store airgun in a secure location. (See CrosBlock instructions packaged with this airgun for assistance)
- Before you store your airgun, make sure that it is unloaded, not charged, and that the airgun is "On Safe."

### SPECIFICATIONS

This airgun has been classified as an adult air gun, and is recommended for adult use only. Because it is considered to be a special-purpose airgun, it is exempt from specific types of trigger pull, safety mechanism and drop tests.

Mechanism/Action	Spring	Weight:	7.79 lbs. (3.53 kg)
Power Source	Break barrel	Length:	45 in. (114.3 cm)
Caliber/Ammunition	.177 cal. (4.5 mm) Lead Airgun Pellet	Safety:	Ambidextrous lever
Velocity	Up to 1,000 fps (304.8 m/s)	Barrel:	Rifled Steel

**PERFORMANCE:** Many factors can affect velocity, including brand of projectile, type of projectile, lubrication, barrel condition and temperature. We recommend the use of Remington®, Copperhead®, Crosman® or Benjamin® .177 pellets with this gun. This airgun ammunition is designed for use in your airgun.

### BREAK IN PERIOD

Due to the nature of a spring air rifle, there is a 200 shot break-in period. During this period accuracy may be inconsistent and your gun may seem loud. This will improve as the spring breaks in.

### REPAIR SERVICE

If your airgun needs repair, we recommend you take or send it to your nearest Crosman Authorized Service Station. DO NOT ATTEMPT TO DISASSEMBLE IT! Your airgun requires special tools and fixtures to repair it. Any disassembly or modification not performed by an Authorized Service Station will void the warranty.

#### A SPECIAL CUSTOMER SERVICE

Crosman Authorized Service Stations will unjam your airgun at no cost during the warranty period.

#### LIMITED ONE-YEAR WARRANTY

This product is warranted to the retail consumer for one year from date of retail purchase against defects in material and workmanship and is transferable. To register the serial number of your air gun, please return the airgun registration form. The warranty is not conditioned on the return of the card. You should retain the original sales receipt as record of date of purchase.

#### WHAT IS COVERED

Replacement parts and labor. Transportation charges to consumer for repaired product.

#### WHAT IS NOT COVERED

Transportation charges to Authorized ServiceStation for product. Damages caused by abuse, modification or failure to perform normal maintenance - see Owner's Manual. Any other expense. CONSEQUENTIAL DAMAGES, INCIDENTAL DAMAGES, OR INCIDENTAL EXPENSES INCLUDING DAMAGE TO PROPERTY. SOME STATES DO NOT ALLOW THE EXCLUSION OR LIMITATION OF INCIDENTAL OR CONSEQUENTIAL DAMAGES SO THE ABOVE LIMITATION OR EXCLUSION MAY NOT APPLY TO YOU.

#### HOW TO OBTAIN WARRANTY PERFORMANCE

**U.S. Customers-** Locate nearest service station (see www.Crosman.com or call Crosman customer service at 800-724-7486 for list of stations). The service station will give you details of how to proceed with sending the item in for repair. You must contact the station prior to shipping your product.

**Canadian Customers-** Contact Crosman Parts & Service- 611 Neal Drive Peterborough, ON K9J 6X7. 705-749-0206.

International Customers- Please return product to your nearest distributor. If you do not know your distributor, please call 585-657-6161 and ask for our International Department for assistance.

#### IMPLIED WARRANTIES

ANY IMPLIED WARRANTIES INCLUDING THE IMPLIED WARRANTIES OF MERCHANTABILITY AND FITNESS FOR A PARTICULAR PURPOSE ARE LIMITED IN DURATION TO ONE YEAR FROM DATE OF RETAIL PURCHASE. SOME STATES DO NOT ALLOW LIMITATIONS ON HOW LONG AN IMPLIED WARRANTY LASTS SO THE ABOVE LIMITATIONS MAY NOT APPLY TO YOU.

To the extent any provision of this warranty is prohibited by federal, state or municipal law, which cannot be preempted, it shall not be applicable. This warranty gives you specific legal rights and you may also have other rights, which vary, from state to state.

CROSMAN and CROSBLOCK are registered trademarks of Crosman Corporation in the United States

Remington®

RW1K77X2

.177 Caliber (4.5 mm) Spring Air Rifle

# MANUAL DEL PROPIETARIO

## LEA TODAS LAS INSTRUCCIONES Y ADVERTENCIAS DE ESTE MANUAL ANTES DE USAR EL RIFLE DE AIRE

Remington es una marca comercial usada bajo licencia de RA Brands L.L.C. por Crosman Corporation.

Crosman Corporation  
7629 Routes 5 & 20  
East Bloomfield, NY 14443  
www.crosman.com  
1-800-7AIRGUN (724-7486)

**ADVERTENCIA:** No es un juguete. Este rifle de aire se recomienda solamente para ser usado por adultos. El uso inadecuado o descuidado puede ocasionar lesiones graves o la muerte. Peligroso hasta a 549 metros (600 yardas).

USTED Y LAS DEMÁS PERSONAS DEBEN USAR SIEMPRE LENTES DE TIRO PARA PROTEGER SUS OJOS. LEA TODAS LAS INSTRUCCIONES ANTES DE USARLLA. EL COMPRADOR Y EL USUARIO TIENEN EL DEBER DE OBEDECER TODAS LAS LEYES RELATIVAS AL USO Y PROPIEDAD DE ESTE RIFLE DE AIRE.

ESTE RIFLE DE AIRE PARA SER UTILIZADO SOLAMENTE POR ADULTOS.

**ADVERTENCIA:** No blanda ni muestre esta arma de aire en público, puede confundir a la gente y podría ser un delito. La policía y otras personas pueden pensar que se trata de un arma de fuego. No cambie la coloración o las marcas de modo que tenga un mayor parecido con un arma de fuego. Eso es peligroso y podría tratarse de un delito.

**ADVERTENCIA:** Diábolos de plomo. No inhale el polvo ni se ponga los diábolos en la boca. Lávese las manos después de manipularlos. Este producto contiene plomo, que en el Estado de California se ha determinado que causa cáncer y defectos congénitos (u otros daños a la reproducción).

Felicidades por comprar rifle de aire de diábolos CROSMAN® Modelo RW1K77 calibre .177 (4.5mm). Por favor lea este manual del usuario. Y recuerde que este rifle de aire no es un juguete. Trátele con el mismo respeto que le tendría a un arma de fuego. Siempre siga cuidadosamente las instrucciones de seguridad que se encuentran en este manual del propietario y consérvelo en lugar seguro para utilizarlo en el futuro.

Si tiene preguntas sobre su nuevo rifle de aire, comuníquese con Crosman al 1-800-724-7486, 585-657-6161 o en www.crosman.com.

### 1. Aprender las partes de su nuevo rifle de aire

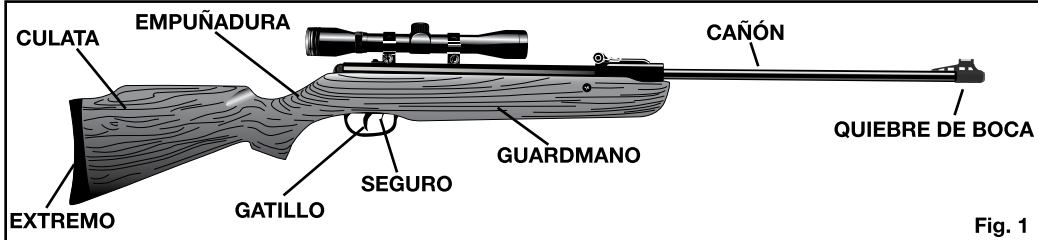


Fig. 1

Aprenderse los nombres de las partes de su nuevo rifle de aire le ayudará a entender el manual del propietario. Use este manual para aumentar su disfrute de este rifle de aire.

Debido a la naturaleza de los rifles de aire de resorte, hay un período de ajuste de 200 disparos. Durante este período, la precisión puede ser inconsistente y el arma parecer demasiado ruidosa. Esto mejorará conforme el resorte se ajusta.

### 2. Operación del seguro

#### 2.1 Para poner el rifle de aire "ON SAFE" (Seguro activado):

- Encuentre el seguro delante del gatillo. Tire del seguro hacia el gatillo para activarlo. El seguro está activado y el rifle de aire está "ON SAFE" cuando la palanca está en la posición trasera cerca del gatillo (Fig. 2).
- Las letras "F" (fuego) y "S" (seguro) en la parte inferior del guardamonte también indican la posición correcta del seguro. Incluso con el seguro activado, debe seguir manipulando con seguridad el rifle de aire. No apunte el rifle de aire a nada a lo que no tenga intención de dispararle.



Fig. 2

Como todos los dispositivos mecánicos, el seguro de los rifles de aire puede fallar. Incluso con el seguro en "On Safe" (activado), debe seguir manipulando con seguridad el rifle de aire. NUNCA apunte el rifle de aire a una persona. NUNCA apunte con el rifle de aire a nada que no tenga intención de dispararle.

#### 2.2 Para poner el rifle "OFF SAFE" (seguro desactivado)

**ADVERTENCIA:** Mantenga el rifle "ON SAFE" (con seguro activado) hasta que esté efectivamente listo para disparar, y entonces pase el seguro a "OFF SAFE" (desactivado).

- Empuje el seguro a la posición delantera (lejos del gatillo). Cuando el rifle está "OFF SAFE" (seguro desactivado) está listo para dispararse. (Fig. 2)

PRECAUCIÓN: No dispare el rifle sin tener un diábolo en la recámara (disparo en seco). Esto podría dañar permanentemente el rifle de aire.

### 3. Ajuste del gatillo

Este rifle viene con un gatillo provisto de un tornillo de ajuste para la longitud de la segunda etapa (Fig. 3)

NOTA: El ajuste del gatillo no afecta la tensión del gatillo, sólo cambia la longitud del recorrido

NOTA: Esta función se agrega para los tiradores avanzados. La mayoría de los tiradores pueden usar el ajuste que se hace al fabricar el rifle y no deben necesitar hacer ninguna modificación.

- Asegúrese de que el rifle esté "ON SAFE" (seguro activado), descargado y no amartillado.
- Para reducir la longitud de la segunda etapa, gire el tornillo en sentido de las manecillas del reloj.
- Para aumentar la longitud de la segunda etapa, gire el tornillo en sentido contrario al de las manecillas del reloj.



Fig. 3

### 4. SECCIÓN 4. Amartillar y cargar el rifle de aire

#### 4.1 Amartillar el rifle de aire

No amartille el rifle de aire a menos que esté listo para cargar y disparar, pues la única forma de desamartillar el rifle de aire es dispararlo. Disparar el rifle de aire sin tener un diábolo en la recámara (disparo en seco) puede ocasionarle daños al arma.

**ADVERTENCIA:** Cuide de no tocar el gatillo ni empujar el seguro a la posición "OFF SAFE" (desactivado).

- Ponga el rifle de aire "ON SAFE" (Seguro activado) (SECCIÓN 2):
- Apunte el rifle de aire en una dirección segura.

#### Comment armer un fusil à canon basculant

En tenant le fusil près du corps, donnez des petits coups fermes sur le frein de la bouche. Posez le fusil contre votre cuisse et tirez le canon vers le bas jusqu'à ce que le ressort soit enclenché. (Fig. 4B).

- Cuide de no pellizcarse la mano o los dedos en el área de la bisagra del rifle de aire.

#### 4.2 Cargar el rifle de aire

- Con el cañón en posición abierta, después de que se haya amartillado, coloque en el cerrojo un diábolo de calibre .177 con la nariz hacia adelante (Fig. 5). Cuide de que el faldellín del diábolo esté al nivel de la cara del cerrojo.
- Devuelva el quiebre de boca a su posición original empujándolo hacia arriba hasta que se bloquee (Fig. 6). Nuevamente, cuide de no pellizcarse la mano o los dedos. Asegúrese de que el rifle de aire esté "ON SAFE" (seguro activado) y apuntado en una dirección segura.

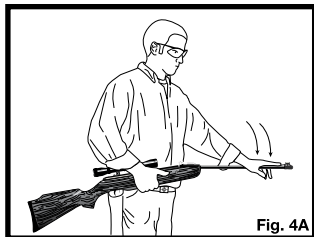


Fig. 4A

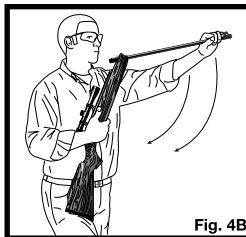


Fig. 4B

**ADVERTENCIA:** Cuide de no tirar del gatillo al amartillar el rifle de aire ni con el cañón en la posición de abajo. Esto puede causarles graves daños al rifle de aire.

PRECAUCIÓN: No dispare el rifle de aire si no hay un diábolo en la recámara (disparo en seco). Esto puede dañar el rifle de manera permanente.

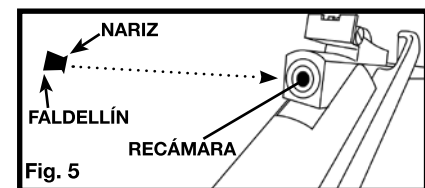


Fig. 5



Fig. 6

**ADVERTENCIA:** El rifle está ahora cargado y listo para disparar. Manténgalo "ON SAFE" (con el seguro activado) hasta que esté listo para disparar. No le apunte a nada a lo que no pretenda dispararle.

#### 4.3 Descargar el rifle de aire

No amartille y cargue el rifle de aire a menos que esté listo para disparar, pues la única forma de desamartillar el rifle de aire es dispararlo en una dirección segura. RECUERDE, elija cuidadosamente sus blancos y asegúrese de que no haya gente en el área alrededor del blanco. ¡PIENSE en lo que puede golpear si no atina al blanco! No guarde el rifle amartillado ni cargado.

PRECAUCIÓN: Use solamente diábolos de calibre .177. Nunca reutilice los diábolos. El uso de cualquier otro tipo de munición puede causarles lesiones o dañar el rifle de aire.

### 5. Apuntar y disparar con seguridad

- Usted y las demás personas deben siempre usar anteojos de tiro para proteger sus ojos.
- Siempre apunte su rifle de aire en una DIRECCIÓN SEGURA. Cuando esté seguro de su blanco y respaldo, y no haya gente en el área alrededor del blanco, desactive el seguro del rifle de aire ("Off Safe") (vea la Sección 2.2) y oprima el gatillo para disparar.

- No dispare a superficies duras o a la superficie del agua. El diábolo puede rebotar y golpear a alguien o algo que usted no tenía intención de tocar.
- Elija siempre su blanco con cuidado. Es mejor disparar a blancos que sean dianas de papel fijadas a un respaldo seguro. Debe colgarse una manta gruesa detrás del respaldo para evitar rebotes en caso de que no atine al respaldo.
- Debe revisarse el desgaste del respaldo antes y después de cada uso. Reemplácelo el respaldo si la superficie está desgastada o dañada, o si rebota la munición.
- El rifle de aire está diseñado para tiro al blanco. Recuerde siempre colocar su blanco con cuidado. PIENSE en lo que puede golpear si no atina al blanco.
- Cuando esté seguro de su blanco y respaldo, y no haya gente en el área alrededor del blanco, desactive el seguro del rifle de aire ("Off Safe") (vea la sección 2.2) y tire del gatillo para disparar.

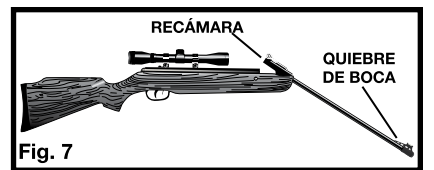


Fig. 7

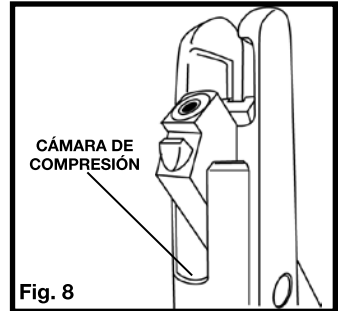


Fig. 8

### 6. Extracción de un diábolo atorado

- Active el seguro del rifle de aire ("ON SAFE") (Sección 2)
- No vuelva a cargar el rifle si hay un diábolo atorado.
- Abra ligeramente el cañón (sin tirar de él completamente hasta el punto que amartilla la acción) y mire por la recámara para ver si está atascado el rifle de aire.
- Si está atascado, introduzca una baqueta de limpieza en la recámara y empuje el diábolo atorado para sacarlo por la boca del cañón. No intente volver a usar ese diábolo (Fig. 7).

PRECAUCIÓN: No amartille el rifle de aire durante la extracción de un diábolo atorado a menos que pretenda seguir disparando.

- Recuerde: no dispare el rifle de aire sin tener un diábolo en la recámara (disparo en seco). Esto podría dañar permanentemente el rifle de aire.
- No deje el rifle de aire amartillado. Esto debilitará el resorte principal y le ocasionará daños a su rifle de aire.
- Si no puede desatascar el rifle de aire siguiendo el procedimiento de descarga, no ninguna otra acción. Una Estación de servicio autorizada desatascará período de garantía.

NOTA: El peso de los diábolos puede afectar la precisión

### 7. Mantenimiento del rifle de aire

Para asegurarse de que su rifle mantenga una potencia uniforme, es importante que aplique una gota de Crosman RMC OIL en la cámara de compresión cada pocos cientos de tiros. (Fig. 8). Las piezas externas deben limpiarse con un paño que tenga RMC OIL.

PRECAUCIÓN: No intente desarmar el rifle de aire. Llévelo a su estación de servicio autorizada más cercana.

NO MODIFIQUE NI ALTERE EL RIFLE DE AIRE. Los intentos de modificar el rifle de aire de cualquier forma que no esté indicada en este manual pueden hacer que el rifle de aire no sea seguro para usarse, ocasionar graves lesiones o la muerte, y anular la garantía. Si su rifle de aire se cae, revise visualmente que funcione correctamente antes de volverlo a usar. Si parece que cualquier cosa ha cambiado, como que el gatillo está más suave o más duro, puede ser indicación de piezas de gastadas o rotas. Llame a servicio al cliente de Crosman para obtener ayuda antes de volver a usar su rifle de aire.

PRECAUCIÓN: Use solamente Crosman RMC OIL y no aplique aceite en exceso. Hacerlo podría dañar el rifle y causarles lesiones al tirador y a quienes se encuentren cerca de él.

Para ayudar a asegurar la precisión

- Apriete periódicamente todas las sujeciones de la culata
- Compruebe y apriete las monturas de las miras, de ser aplicable

### 8. Revisión de seguridad

- Nunca apunte el rifle de aire a ninguna persona o a ninguna cosa a la que no tenga intención de dispararle.
- Siempre trate el rifle de aire como si estuviera cargado y con el mismo respeto que le tendría a un arma de fuego.
- Apunte siempre en una DIRECCIÓN SEGURA. Mantenga siempre el cañón del rifle de aire apuntado en DIRECCIÓN SEGURA.
- Mantenga siempre el rifle de aire con el seguro activado hasta que esté listo para disparar.
- Siempre compruebe que el rifle de aire tenga el seguro activado ("ON SAFE") y esté descargado al recibirlo de otra persona o al sacarlo después de estar guardado.
- Mantenga siempre el dedo apartado del gatillo y fuera del guardamonte hasta que esté listo para disparar.
- Usted y las demás personas deben siempre usar anteojos de tiro para proteger sus ojos.
- Si sus lentes de lectura o para ver no son de seguridad, cuide de usar anteojos de tiro encima de sus lentes normales.
- Use el tamaño de diábolo adecuado para su rifle de aire. Use solamente diábolos de calibre .177 (4.5 mm).
- Nunca reutilice los diábolos.
- No dispare a superficies duras o a la superficie del agua. El diábolo puede rebotar y golpear a alguien o algo que usted no tenía intención de tocar.
- Coloque el respaldo en un lugar que sea seguro en caso de que falle el respaldo.
- Debe revisarse el desgaste del respaldo antes y después de cada uso. Todos los respaldos se desgastan y eventualmente dejarán de servir. Reemplácelo el respaldo si la superficie está desgastada o dañada, o si rebota la munición.
- No intente desarmar el rifle de aire ni lo manipule indebidamente. Use una Estación de servicio autorizada. El uso de centros de reparaciones no autorizados o la modificación de las funciones del rifle de aire en cualquier forma puede ser inseguro y anulará la garantía.
- Conservar siempre el bloqueo del gatillo CrosBlock en su sitio al guardar este rifle de aire. Guarde el rifle de aire en un sitio seguro. (Consulte las instrucciones de CrossLink incluidas con este rifle de aire para obtener ayuda.)
- Antes de guardar el rifle de aire, cerciórese de que esté descargado, desamartillado y tenga activado el seguro ("On Safe").

### ESPECIFICACIONES

Mecanismo/Acción	Resorte	Peso	3.53 kg (7.79 lbs.)
Fuente de energía	Quiebre de cañón	Longitud	114.3 cm (45 in.)
Calibre/Diábolos	calibre .177 diábolo de plomo para rifle de aire .177 cal. (4.5mm)	Segura	Palanca ambidestra
Velocidad	Hasta 304.8 mps (100 fps)	Cañón	Acero estriado

### DESEMPEÑO

Hay muchos factores que afectan la velocidad, incluida la marca del proyectil, el tipo de proyectil, la cantidad de CO2 del cartucho, la lubricación, las condiciones del cañón y la temperatura.

### PERÍODO DE AJUSTE

Debido a la naturaleza de los rifles de aire de resorte, hay un período de ajuste de 200 disparos. Durante este período, la precisión puede ser inconsistente y el arma parecer demasiado ruidosa. Esto mejorará conforme el resorte se ajusta.

### SERVICIO DE REPARACIONES

Si el rifle de aire necesita repararse, le recomendamos que lo lleve o envíe a su Estación de servicio autorizada Crosman más cercana. ¡NO INTENTE DESARMARLO! El rifle de aire requiere de herramientas y accesorios especiales para repararlo. Si lo desarma o modifica cualquiera que no sea una Estación de servicio autorizada, se anulará la garantía.

### UN SERVICIO ESPECIAL AL CLIENTE

Las Estaciones de servicio autorizadas Crosman desatascarán el rifle de aire sin costo durante el período de garantía.

### GARANTÍA LIMITADA DE UN AÑO

Este producto está garantizado para el comprador al menudeo durante un año a partir de la fecha de compra al menudeo contra defectos en materiales y mano de obra, y es transferible. Para registrar el número de serie de su rifle de aire, devuelva el formulario de registro del rifle de aire. La garantía no está condicionada a la devolución de la tarjeta. Debe conservar el recibo de ventas original como registro de la fecha de compra.

### QUÉ ESTÁ CUBIERTO

Refacciones y mano de obra. Se carga el transporte del producto reparado al consumidor.

### QUÉ NO ESTÁ CUBIERTO

Cargos de transporte del producto a la Estación de servicio autorizada. Daños ocasionados por el abuso, modificación o negligencia en la realización del mantenimiento normal, consulte el Manual del propietario. Cualquier otro gasto. DA—OS CONSECUENCIALES, GASTOS INCIDENTALES INCLUIDOS LOS DE DA—OS A LA PROPIEDAD. ALGUNOS ESTADOS NO PERMITEN LA EXCLUSIÓN O LIMITACIÓN DE DA—OS INCIDENTALES O CONSECUENCIALES, DE MODO QUE ES POSIBLE QUE LA LIMITACIÓN ANTES SE—ALADA NO SE LE APLIQUE A USTED.

### CÓMO HACER EFECTIVA LA GARANTÍA

Clientes de los EE.UU.: Encuentre la estación de servicio más cercana (consulte www.Crosman.com o llame a servicio al cliente de Crosman al 800-724-7486 para obtener una lista de estaciones). La estación de servicio le dará los detalles sobre cómo proceder con el envío del artículo para su reparación. Debe ponerse en contacto con la estación antes de enviar el producto. Clientes de Canadá: comuníquese con Crosman Parts & Service- 611 Neal Drive Peterborough, ON K9J 6X7. Teléfono (705)-749-0206.

Clientes internacionales: devuelva el producto a su distribuidor más cercano. Si no conoce al distribuidor, llame al 585-657-6161 y pida que lo comuniquen con nuestro departamento internacional (International Department) para obtener ayuda.

### GARANTÍAS IMPLÍCITAS

CUALQUIER GARANTÍA IMPLÍCITA, INCLUIDAS LAS GARANTÍAS IMPLÍCITAS DE COMERCIABILIDAD Y ADECUACIÓN PARA UN PROPÓSITO EN PARTICULAR TIENEN UNA DURACIÓN LIMITADA DE UN A—O A PARTIR DE LA FECHA DE LA COMPRA AL MENDUEO. ALGUNOS ESTADOS NO PERMITEN LIMITACIONES SOBRE LA DURACIÓN DE UNA GARANTÍA IMPLÍCITA, DE MODO QUE ES POSIBLE QUE ESTAS LIMITACIONES NO SE LE APLIQUEN A USTED.

En la medida en que cualquier disposición de esta garantía esté prohibida por la ley federal, estatal o municipal, no será aplicable. Esta garantía le otorga derechos legales concretos y es posible que usted tenga también otros derechos que varían según el estado.

CROSMAN y CROSBLOCK son marcas comerciales registradas de Crosman Corporation en los Estados Unidos.