



Models 357_{SIX} & 357_{FOUR} OWNERS MANUAL

**READ ALL INSTRUCTIONS AND WARNINGS IN
THIS MANUAL BEFORE USING THIS AIRGUN.**

Congratulations and thank you for choosing Crosman Airguns Model 357 CO₂ pellet Revolver.

The 357 includes many advanced features available for the first time in an airgun. These features will add to the life of your new airgun and give you easier handling, greater accuracy and more enjoyment.

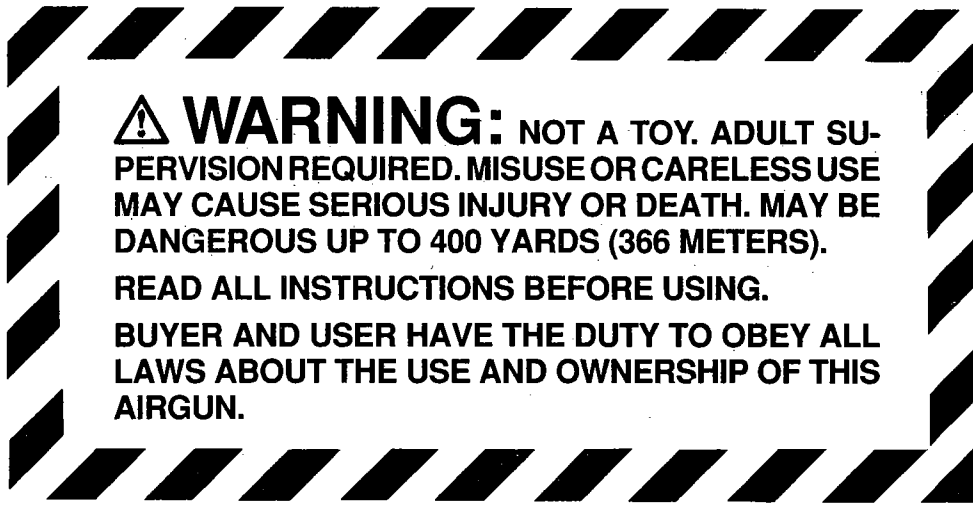
Our unique break-open barrel and easy loading pellet clip makes target shooting faster and more fun than ever. Extra pellet clips are available and you will find that 3 pre-loaded clips will fit conveniently in an empty Crosman Copperhead Belt Pak.

The break-open barrel design makes it easy to clear the barrel if a pellet ever jams.

You will also find an adjustable rear sight and a feel and balance to the 357 that will make your target shooting more accurate.

To get the most enjoyment from your new airgun, please read these instructions completely. And remember, the Model 357 is not a toy. Treat it with the same respect you would a firearm. Always carefully follow the safety precautions described in these instructions.

Thank you for choosing a Crosman airgun.

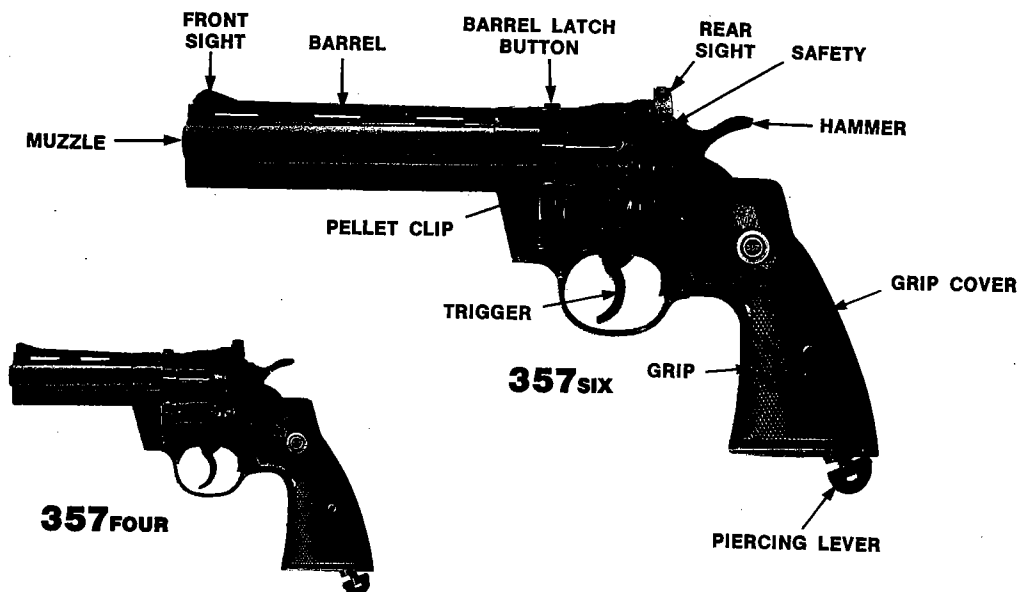


⚠ WARNING: NOT A TOY. ADULT SUPERVISION REQUIRED. MISUSE OR CARELESS USE MAY CAUSE SERIOUS INJURY OR DEATH. MAY BE DANGEROUS UP TO 400 YARDS (366 METERS).
 READ ALL INSTRUCTIONS BEFORE USING.
 BUYER AND USER HAVE THE DUTY TO OBEY ALL LAWS ABOUT THE USE AND OWNERSHIP OF THIS AIRGUN.

THIS AIRGUN IS INTENDED FOR USE BY THOSE 16 YEARS OF AGE OR OLDER.

3

Models 357_{SIX} & 357_{FOUR} .177 CALIBER, CO₂ POWERED PELLET REVOLVER



5

HOW TO OPERATE YOUR REVOLVER

1. Putting Revolver "On Safe"
2. Making Sure Revolver is Not Loaded
3. Removing and Installing CO₂ Cylinder
4. Loading and Unloading Pellets in Revolver
5. Aim and Fire Safely
6. Removing a Jammed Pellet from Revolver
7. Maintaining your Revolver
8. Safety Review
9. Trouble Shooting Guide

FOLLOW THESE IMPORTANT STEPS FOR SAFE AND TROUBLE-FREE OPERATION

7

1. Putting Revolver "On Safe"

- A. Locate Safety below Rear Sight, Fig. 1. Pull the Hammer back slightly and with your other hand push Safety in from the left side of Revolver. Gently release the Hammer.

⚠ WARNING: ALWAYS PUSH THE SAFETY ALL THE WAY IN. THE SAFETY IS NOT "ON SAFE" UNLESS THE RED MARK IS ALL THE WAY INSIDE THE FRAME OF THE REVOLVER.

- B. Even when the Safety is "On Safe" you should continue to handle the Revolver safely. Don't point the gun at anything you don't intend to shoot.
- C. To take Revolver "Off Safe" push safety in from the right side.

NOTE: With Revolver "On Safe" the Hammer and Trigger will still operate, but CO₂ cannot be released and a Pellet cannot be fired. Always keep gun "On Safe" until you are ready to shoot in a Safe Direction.

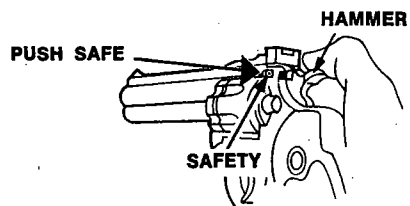
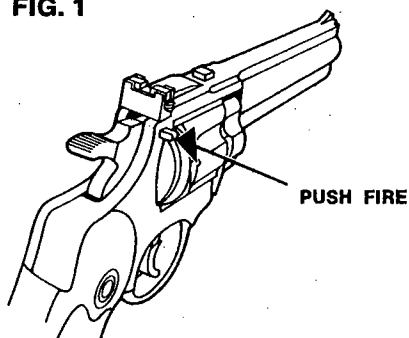


FIG. 1



2. Making Sure Revolver is Not Loaded

- A. Put Revolver "On Safe". (See Step 1)
- B. Press the Barrel Latch Button down and open the Barrel. Fig. 2.
- C. First, remove the Pellet Clip and check each Chamber. Then check to make sure the Barrel is clear by pointing the Revolver Muzzle toward a light background and looking through the Breech.
- D. Replace Pellet Clip (ratchet teeth up) on Barrel, close Barrel, Fig. 3. Make sure the Barrel Latch has locked.
- E. Don't pinch hand or fingers when closing Barrel.

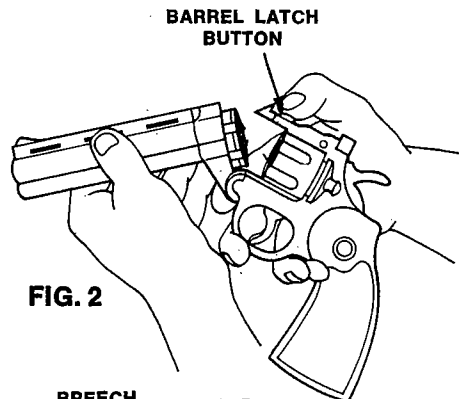


FIG. 2

3. Removing and Installing CO₂ Cylinder

Removing CO₂ Cylinder

- A. Put Revolver "On Safe". (See Step 1)
- B. Make sure Revolver is not loaded. (See Step 2)

⚠ WARNING: CO₂ CYLINDER MAY EXPLODE AT TEMPERATURES ABOVE 120° F.

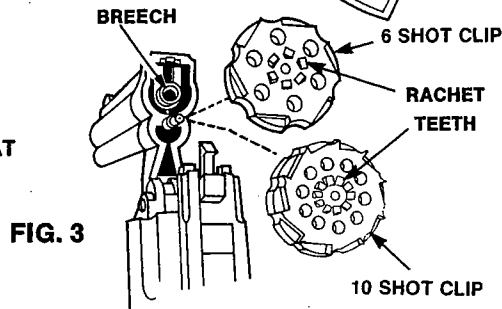


FIG. 3

11

⚠ CAUTION: KEEP HANDS AWAY FROM ESCAPING CO₂ GAS. IT CAN CAUSE FROSTBITE IF ALLOWED TO COME IN CONTACT WITH SKIN.

- C. With one hand hold the Revolver by the Barrel. With the other hand turn Piercing Lever counter-clockwise until it stops turning. Fig. 4.
- D. Remove the Grip Cover from the left side of Revolver lifting from the bottom edge. This will remove CO₂ Cylinder. Slide empty CO₂ Cylinder from Holding Clip. Fig. 5.

Installing New CO₂ Cylinder

- A. Insert the new CO₂ Cylinder into the Revolver with the small neck of the Cylinder pointing toward the Hammer. Fig. 6.
- B. Snap the Grip Cover into place.
- C. With thumb and finger, turn Piercing Lever clockwise to pierce CO₂ Cylinder. Fig. 7.
- D. Point the empty Revolver in safe direction, take Revolver "Off Safe", cock and fire. If Revolver does not fire, tighten the Piercing Lever a little more and try to fire again. Repeat until the gun will fire.

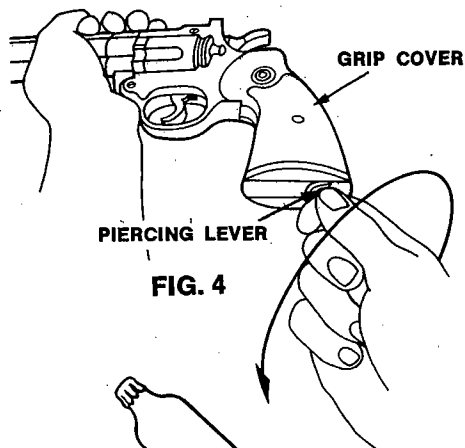


FIG. 4

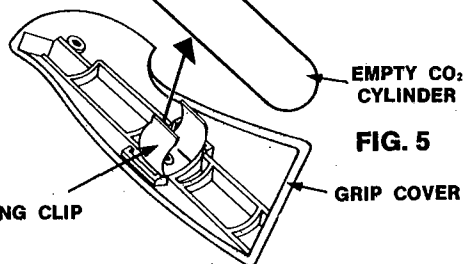


FIG. 5

HOLDING CLIP

13

- E. Return Safety to "On Safe" position. (See Step 1)
- F. Never use any tool on Piercing Lever. Over-tightening can cause injury to you or damage your Revolver.
- G. **Note:** We recommend the use of Crosman Copperhead CO₂ Powerlets®. They are made to fit the 357. Other brands of CO₂ cylinders may not fit properly and if you force them into place it may result in injury to you or damage to your revolver. Never try to force any CO₂ cylinder into place.

4. Loading and Unloading Revolver

To Load Pellets

- A. Put Revolver "On Safe". (See Step 1)
- B. Press down on the Barrel Latch Button and open Revolver.
- C. Make sure the Revolver is empty before reloading. (See Step 2)
- D. Place a Pellet (nose first) in each Pellet Chamber. **IMPORTANT:** To avoid jams or deforming pellets make sure each Pellet Skirt is level or slightly below the rim of the Pellet Chamber. Fig. 8.

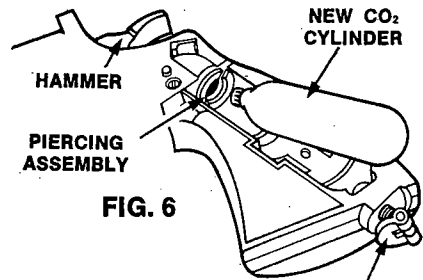


FIG. 6

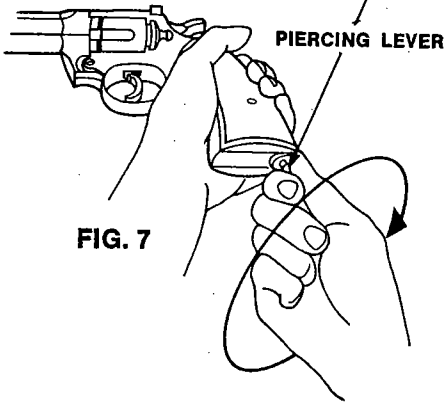


FIG. 7

- E. Replace the Pellet Clip on the Barrel (ratchet teeth up), close Barrel. Make sure the Barrel Latch has locked.

To Unload Pellets

- A. Put Revolver "On Safe". (See Step 1)
- B. Press down on the Barrel Latch Button and open Revolver.
- C. Remove Pellet Clip. Using a ramrod or metal clothes hanger or other similar tool, gently push out each pellet. **IMPORTANT:** Never use sharp metal tools to remove pellets.
- D. Check Barrel to be sure the Revolver is completely unloaded. (See Step 2)
- E. Replace Pellet Clip on Barrel (ratchet teeth up). Close Barrel. Make sure the Barrel Latch has locked.

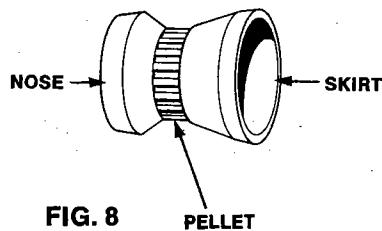
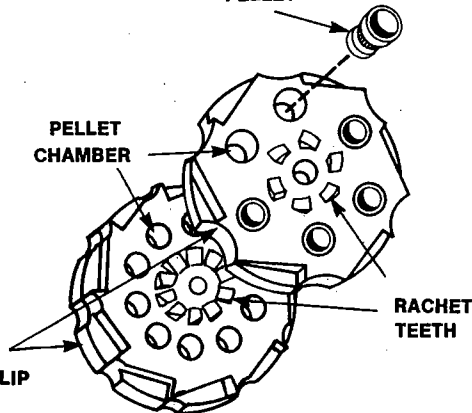


FIG. 8



⚠ CAUTION: USE .177 CALIBER PELLETS ONLY. NEVER REUSE PELLETS. USE OF ANY PELLET OTHER THAN .177 CALIBER CAN CAUSE INJURY TO YOU OR DAMAGE TO THE REVOLVER.

5. Aim and Fire Safely

A. Always aim your Revolver in a SAFE DIRECTION. When you are sure of your TARGET and BACKSTOP, and the area around the TARGET is clear, take the Revolver "Off Safe" (see Step 1). Squeeze the Trigger to fire double action, or cock the Hammer and squeeze the Trigger to fire single action.

IMPORTANT: Don't shoot at hard surfaces such as metal or at water. The pellet may bounce off and hit someone or something you had not intended to. Always check to see if Revolver is "On Safe" (Step 1) and unloaded (Step 2) when getting it from another person or from storage. Don't put the Revolver away loaded.

Your Backstop should be inspected for wear before and after each use. Stop using any Backstop if the surface is worn or damaged. Since Backstop surfaces will become damaged from shooting, always place the Backstop in a location that will be safe should the Backstop fail. Stop using a Backstop if the pellet rebounds or ricochets.

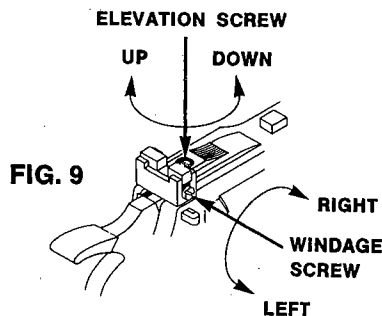
Tampering with the gun or attempts to change the gun in any way may make it unsafe to use. If you drop your gun, check it for proper functions before you use it again. If any of the functions change, like a shorter or weaker Trigger pull, this may mean worn out or broken parts. Don't use it again until you've had it checked by an Authorized Service

19

Station. (A list of Service Stations is in the box with the Revolver.)

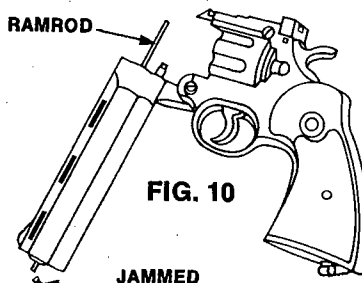
Sight Adjustment

B. Move the Rear Sight in the same direction you want the pellet to hit on the target, Fig. 9. Elevation Adjustment: Turn screw clockwise to move point of impact up, turn screw counterclockwise to move point of impact down. Windage Adjustment: Turn screw clockwise to move point of impact to right and counterclockwise to move point of impact to left.



6. Removing a Jammed Pellet from Revolver

- Put Revolver "On Safe". (See Step 1)
- Press down the Barrel Latch Button and open Revolver.
- If the jam is in the Barrel, remove the Pellet Clip, and using a straightened wire clothes hanger, push the jammed pellet out the Muzzle end of the Barrel. Fig. 10.
- If the jam is in the Pellet Clip, unload pellets as explained in Step 4.



7. Maintaining your Revolver

Your 357 Revolver will work best if you oil it every 250 shots or after you use one box of pellets. Put 2 to 3 drops of Crosman Pellgunoil® at points shown in Fig. 11.

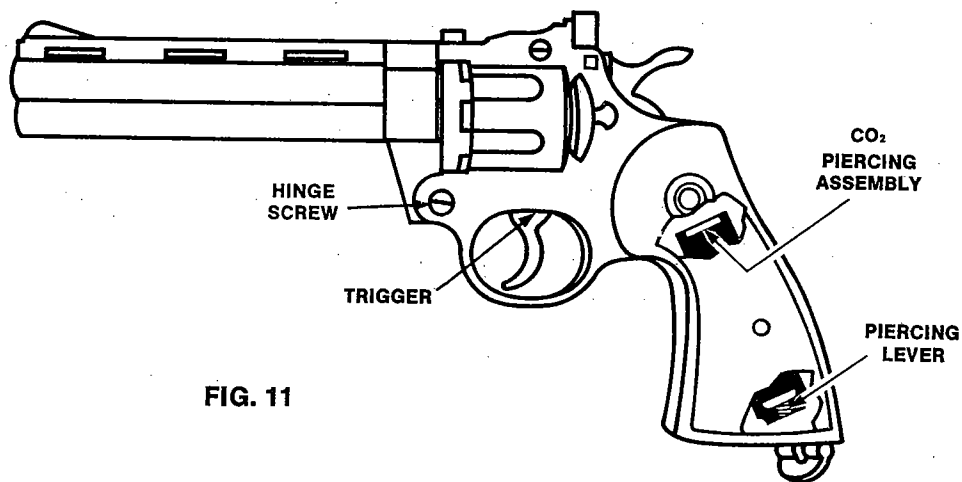


FIG. 11

23

8. Safety Review

- A. Always push the Safety all the way in. The Safety is not "On Safe" unless the red mark is all the way inside the Frame of the Revolver.
- B. Don't point at anything you don't intend to shoot. Always aim in a SAFE DIRECTION.
- C. Don't pinch hand or fingers when closing Barrel.
- D. Keep hands away from escaping CO₂ gas. It can cause frostbite if allowed to come in contact with skin.
- E. Never use any tool on Powerlet Piercing Lever. Overtightening can cause injury to you.
- F. Use .177 Caliber Pellets only. Never reuse pellets.
- G. Don't shoot at hard surfaces such as metal or at water.
- H. Always keep gun "On Safe" until you are ready to shoot in a SAFE DIRECTION.
- I. Stop using a Backstop if it becomes worn. Place Backstop in a location that will be safe should the Backstop fail.
- J. Do not attempt to disassemble or tamper with your gun. Use a competent repairman.
- K. Always check to see if Revolver is "On Safe" and unloaded when getting it from another person or from storage. Don't put the Revolver away loaded.

9. Trouble Shooting Guide

PROBLEMS	REASON	CO ₂ cylinder low or empty	Safety in on position	Barrel plugged	CO ₂ cylinder not fully pierced	Temperature below recommended level	Defective or improper ammunition	Pellet loaded backwards	Gun not cocked	Ammunition not in load position	Gun fired beyond recommended number of shots	Shooting Pellet BB Combination	Loading more than one projectile	Sight not adjusted
INACCURACY		●			●	●	●	●			●	●	●	●
BARREL PLUGGED		●			●	●	●	●			●	●	●	
GUN LEAKS						●								
LOW POWER		●			●	●	●	●			●	●	●	
GUN FAILS TO SHOOT		●	●	●	●	●	●	●	●	●	●	●	●	
CYLINDER FAILS TO TURN			●	●						●				

27

SPECIFICATIONS

Mechanism:	Double or single action
Ammunition:	.177 cal. (4.5 mm) Lead Airgun pellet
Weight:	Six—2 lbs. Four—1 lb. 11 oz.
Overall Length:	Six—11 $\frac{3}{8}$ " , Four—9 $\frac{3}{8}$ "
Sights:	Fixed front blade Adjustable rear sight for windage and elevation
Barrel:	Steel, rifled, 10 lands and grooves one turn in 16"
Power Source:	CO ₂ Powerlet®, 60 Shots
Safety:	Hammer block safety

PERFORMANCE

	Muzzle Velocity	Projectile	Weight
357SIX	Up to 435 FPS	.177 pellet	7.9 gr.
357FOUR	Up to 375 FPS	.177 pellet	7.9 gr.

Average 60 shots per CO₂ Powerlet® at 70°F.

NOTE: Initial velocity listed may exceed average velocity up to 15%. Many factors affect velocity, including brand of projectile, type of projectile, amount of CO₂ in cartridge, oiling of gun, barrel condition, temperature and elevation.

REPAIR SERVICE

If your gun needs repair, we recommend you take or send it to your nearest Crosman Authorized Service Center, (list of service centers in box with gun). Your gun requires special tools and fixtures to repair it. If you take it apart, you probably will not be able to reassemble it correctly. Crosman assumes no warranty responsibility in this case.

A SPECIAL CUSTOMER SERVICE

Crosman Authorized Service Stations will unjam your revolver at no cost during the warranty period.

LIMITED ONE YEAR WARRANTY

This product is warranted to the retail consumer for one year from date of retail purchase against defects in material and workmanship and is transferable. To register the serial number of your gun, please return the Warranty Record Card. The warranty is not conditioned on the return of the card.

WHAT IS COVERED

Replacement parts and labor. Transportation charges to Consumer for repaired product.

WHAT IS NOT COVERED

Transportation charges to Crosman for defective product. Damages caused by abuse or failure to perform normal maintenance—see Owner's Manual. Sales outside of the United States. Any other expense. CONSEQUENTIAL DAMAGES, INCIDENTAL DAMAGES, OR INCIDENTAL EXPENSES, INCLUDING DAMAGE TO PROPERTY. SOME STATES DO NOT ALLOW THE EXCLUSION OR LIMITATION OF INCIDENTAL OR CONSEQUENTIAL DAMAGES, SO THE ABOVE LIMITATION OR EXCLUSION MAY NOT APPLY TO YOU.

HOW TO OBTAIN WARRANTY PERFORMANCE

Locate nearest Crosman Service Center on list with Product or in phonebook. Attach to Product your name, address, description of problem, phone number and proof of date of retail purchase (sales slip). Package and return Product to Crosman Service Center, transportation charges prepaid.

IMPLIED WARRANTIES

ANY IMPLIED WARRANTIES, INCLUDING THE IMPLIED WARRANTIES OF MERCHANTABILITY AND FITNESS FOR A PARTICULAR PURPOSE, ARE LIMITED IN DURATION TO ONE YEAR FROM DATE OF RETAIL PURCHASE. SOME STATES DO NOT ALLOW LIMITATIONS ON HOW LONG AN IMPLIED WARRANTY LASTS, SO THE ABOVE LIMITATIONS MAY NOT APPLY TO YOU.

To the extent any provision of this warranty is prohibited by federal, state, or municipal law which cannot be preempted, it shall not be applicable. This warranty gives you specific legal rights, and you may also have other rights which vary from state to state.